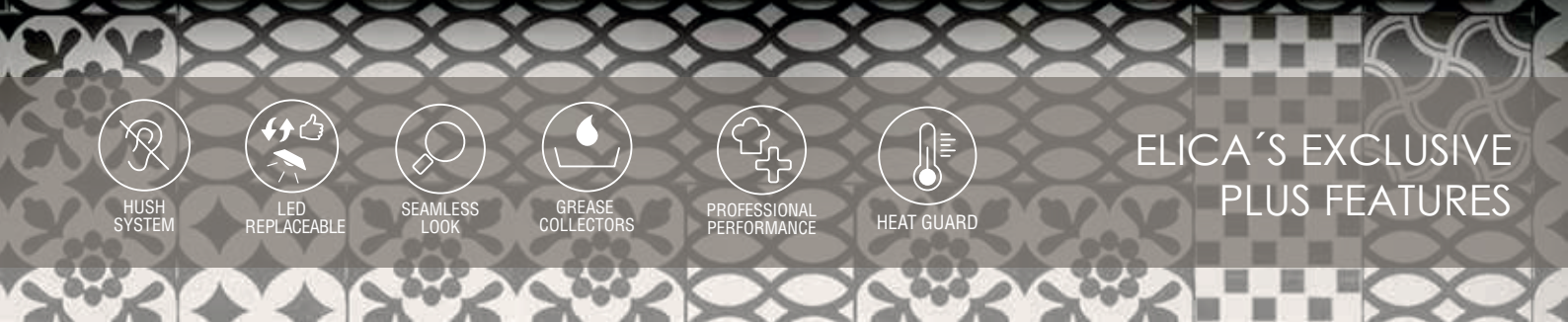


# ELICA PRO SERIES AREZZO



HUSH SYSTEM



LED REPLACEABLE



SEAMLESS LOOK



GREASE COLLECTORS



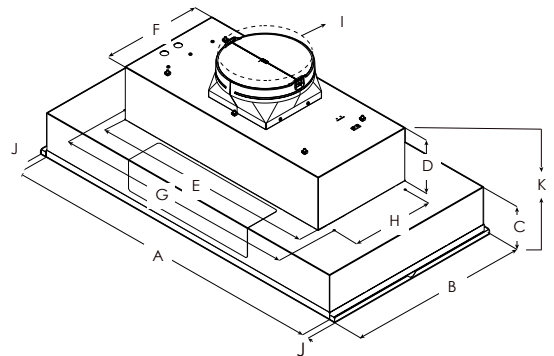
PROFESSIONAL PERFORMANCE



HEAT GUARD

ELICA'S EXCLUSIVE PLUS FEATURES

Arezzo provides professional grade performance, while being discreetly mounted inside the cabinetry. Available in 28 1/2" width with a 600 CFM blower, and equipped with a 1200 CFM blower for widths of 34 1/2", 40 1/2" and 46 1/2" for extraordinary ventilating power. The extra depth (22") is ideal for supporting powerful professional ranges. Plus the All-In-One design avoids the need to purchase a stainless liner. Hidden metallic in/out knob controls operate the 4-speed blower and LED lighting.



	EAR628S3 EAR628S4	EAR134S3 EAR134S4	EAR140S3 EAR140S4	EAR146S3 EAR146S4
A	28 1/2" (72.4 cm)	34 1/2" (87.6 cm)	40 1/2" (103 cm)	46 1/2" (118 cm)
B	22" (55.9 cm)	22" (55.9 cm)	22" (55.9 cm)	
C	5 7/16" (13.8 cm)			
D	6 1/2" (16.4 cm)			
E	27 9/16" (70 cm)			
F	12 7/16" (31.6 cm)			
G	29 13/16" (75.7 cm)			
H	10 1/8" (25.7 cm)			
I	10" (25.4 cm)			
J	3/4" (1.9 cm)			
K	12" (30.4 cm)			



MOUNTING  
HEIGHT  
RANGE

# ELICA PRO SERIES

## AREZZO



### SPECIFICATIONS

	28" Unit	34" Unit	40" Unit	46" Unit
Model:	EAR628S3 EAR628S4	EAR134S3 EAR134S4	EAR140S3 EAR140S4	EAR146S3 EAR146S4
Dimensions:	28 1/2"W x 22"D x 11 1/2"H	34 1/2"W x 22"D x 11 1/2"H	40 1/2"W x 22"D x 11 1/2"H	46 1/2"W x 22"D x 11 1/2"H
Blower Type(internal):	600 CFM(4-speed)	1200 CFM(4-speed)	1200 CFM(4-speed)	1200 CFM(4-speed)
Blower Performance:				
Speed 1	90 CFM	380 CFM	380 CFM	380 CFM
Speed 2	330 CFM	660 CFM	660 CFM	660 CFM
Speed 3	490 CFM	950 CFM	950 CFM	950 CFM
Speed 4	600 CFM	1200 CFM	1200 CFM	1200 CFM
Noise (sones): Working Speed	Min:2 , Max:9.6	Min:2.05, Max:7.5	Min:2.05, Max:7.5	Min:2.05, Max:7.5
Finish:	Stainless Steel			
Controls:	Fully retractable rotating knobs with blue backlighting			
Illumination: (replaceable lamps 1 intensity)	2 LED, 7.5 Watts	2 LED, 7.5 Watts	4 LED, 7.5 Watts	4 LED, 7.5 Watts
Filter Type:	Dishwasher-Safe, Professional Stainless Steel			
Angled Baffle Filters:	1	2	2	3
Duct Transition:	10" Round with BackDraft Damper (top only)			
Installation Type:	Ducted Installation Only			
Electrical:	120V - 60 Hz			
CONSUMABLE PARTS:				
Replacement Grease Filter (1):	GF09EA	GF09GA	GF09FA	GF09EA

\*Consumable parts are sold in units of one (1). Order accordingly

### PLUS FEATURES



**HUSH SYSTEM** - An exclusive sound deadening technology that effectively reduces sound levels by over 35%



**LED CONSUMER REPLACEABLE BULB** - High quality LED lighting usually requires a skilled technician to replace lamps. Avoid this expense with Elica's new LED lamps that enable homeowners to replace in seconds



**SEAMLESS CRAFTSMANSHIP** - Heavy gauge stainless steel "Seamless" construction that delivers refined elegance.



**STAINLESS STEEL BAFFLE FILTERS WITH GREASE COLLECTORS** - Designed for high airflow cooking, the "S" shape design traps high volumes of grease



**PROFESSIONAL PERFORMANCE** - Special features and high performances for models with aspiration capacity between 600 and 1200 CFM's



**HEAT GUARD** - Senses extreme temperatures (>158 degrees) and automatically adjusts the blower speed to HIGH