



3X LAYER MESH FILTER



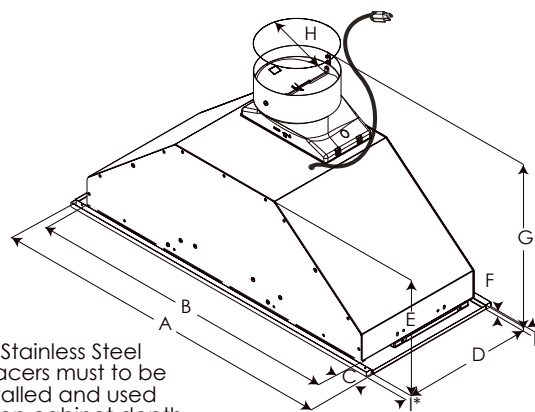
LED LIGHT

ELICA'S EXCLUSIVE PLUS FEATURES

Asti is designed for discreet mounting inside cabinetry, fits perfectly into 12" deep cabinetry and is ideal for kitchens where space is limited or the range hood needs to be out of sight.

Asti comes equipped with a powerful 400 CFM blower that can handle most cooking needs.

Convenient Backlit Electronic Push Button Controls operate the 3 speed blower and LED lighting, while dishwasher safe anodized aluminum mesh filters offer easy maintenance. Asti is designed for standard ducted or recirculating installation.



I* - Stainless Steel Spacers must be installed and used when cabinet depth is greater than 12".

| | EAS422SS | EAS428S1 |
|----|-------------------------------|------------------------------|
| A | 22 $\frac{1}{4}$ " (57.1 cm) | 28 $\frac{1}{4}$ " (71.8 cm) |
| B | 19 $\frac{1}{16}$ " (50 cm) | 26" (66 cm) |
| C | 1 $\frac{3}{64}$ " (2.9 cm) | |
| D | 10 $\frac{3}{4}$ " (27.3 cm) | |
| E | 9 $\frac{17}{32}$ " (24.2 cm) | |
| F | 5 $\frac{1}{16}$ " (.85 cm) | |
| G | 14 $\frac{7}{16}$ " (37 cm) | |
| H | 6" (15.2 cm) | |
| I* | 1 $\frac{1}{2}$ " (1.27 cm) | |



≥24"



≥30"

MOUNTING HEIGHT RANGE

SPECIFICATIONS



| | 24" Unit | 28" Unit |
|--|--|----------------------------------|
| Model: | EAS422SS | EAS428S1 |
| Dimensions: | 22 1/4 "W x 10 3/4"D x 9 1/2" H | 28 1/4 "W x 10 3/4 "D x 9 1/2" H |
| Blower Type(internal): | 400 CFM (3 -speed) | |
| Blower Performance: | | |
| Speed 1 | 160 CFM | |
| Speed 2 | 280 CFM | |
| Speed 3 | 400 CFM | |
| Noise (sones): | Min: 1.5, Max: 5.9 | |
| Working Speed | | |
| Finish: | Stainless Steel | |
| Controls: | Backlit electronic Push Button 3-Speed | |
| Illumination: | 2 LED, 2.1 Watts | |
| Filter Type: | Dishwasher-Safe, Anodized Aluminum Mesh Filter | |
| Aluminum Mesh Filters: | 1 | 2 |
| Duct Transition: | 6" Round with Back Draft Damper (top only) | |
| Installation Type: | Ducted (Recirculating Kit sold separately) | |
| Electrical: | 120 V - 60 Hz 340 Wattage | |
| KITS: | | |
| Recirculating Kit with 2 carbon filters: | KIT02770 | |
| 30" Hood Liner (29" Wx17 1/2" -20 1/2" D): | KIT02773 | |
| 36" Hood Liner (35" Wx17 1/2" -20 1/2" D): | KIT02774 | |
| | *Liner accessories are only available for the EAS428S1 model | |
| CONSUMABLE PARTS: | | |
| Grease Filter (1): | GF08PA | GF08P |
| Carbon Filter(1): | FB016A | FB016A |
| Light Bulb (1): | LMP0117673 | |

*Consumable parts are sold in units of one (1). Order accordingly

PLUS FEATURES



3X LAYER GREASE FILTER - Elica aluminum mesh filters are a step above competition, featuring triple layered, anodized aluminum that is woven into a highly dense mesh. The thick mesh captures more grease, anodization helps resist staining and provides durability to repeated cleanings in the dishwasher.



LED LIGHT - LED lighting is undoubtedly the smartest solution in terms of energy saving. Expected life time of over 20,000 hours, represents the most remarkable advantage of LED light bulbs.