



MEZZANO WALL

TECHNE SERIES



LED light with dimmer



New commands

With a minimalist design but a strong stainless steel construction, Mezzano is in tune with avant-garde appliances where clear and architectural lines take precedence.

Mezzano has a powerful 600 CFM blower, LED dimmable, stainless steel microhole filters and high-tech multi-function touch controls that deliver convenience and safety.

Mezzano was designed for standard ducted installation, but with also can be installed using the Recirculating Kit, available as an accessory.

Dimensions | Models

30"W x 19 11/16"D x 1 9/16"H | EMZ630S3
MEZZANO 30"

36"W x 19 11/16"D x 1 9/16"H | EMZ636S3
MEZZANO 36"



AMBIENT LIGHT



LED LIGHT



HUSH



DIM-LIGHT



TOP PERFORMANE

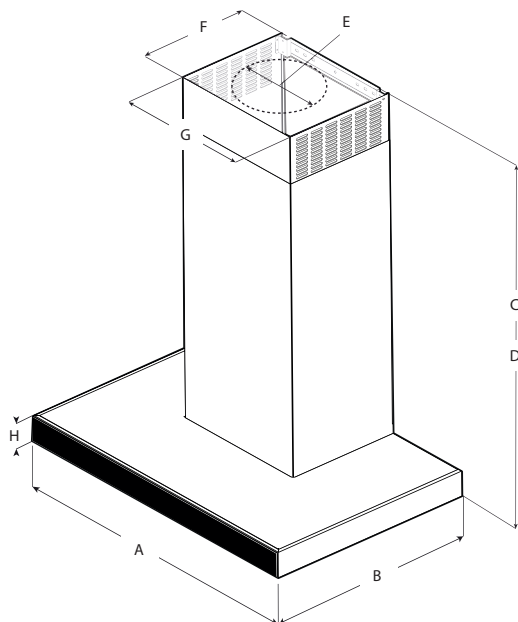


CRS
CFM REDUCTION

FEATURES

Size (in) & Type	30" or 36" wide Wall Chimney
Finish	Stainless Steel + Black Glass
Controls	Touch Control 3S + Booster
Illumination	2 Premium LED Dimmable Lights
Installation Type	Recirculation kit sold separately
Blower Type	Speed 1, 160 CFMs Speed 2, 280 CFMs Speed 3, 470 CFMs Speed 4, 600 CFMs
Filter Type	Dishwasher- Safe, Stainless Steel Microhole Filter
Noise (sones):	Min: 1.73, Max: 6 Sones
Duct Transition	Round 6"/150cms
Electrical	120 Volts, 60 Hertz, 455 Watts, 3.8 Amps

Line Drawing



	Models	
	EMZ630S3	EMZ636S3
A	30" (76.2 cm)	36" (91.4 cm)
B	19 ¹¹ / ₁₆ " (50 cm)	
C*	Max: 54 ¹¹ / ₆₄ " (139 cm) Min: 33 ¹¹ / ₃₂ " (86 cm)	
D**	Max: 50 ⁵ / ₁₆ " (129 cm) Min: 29 ¹¹ / ₁₆ " (77 cm)	
E	6" (15.24 cm)	
F	10 ³ / ₄ " (27 cm)	
G	13 ¹ / ₃₂ " (33 cm)	
H	2 ⁶ / ₁₆ " (6 cm)	

* Ductless (Recirculating) version

** Ducted version

PLUS



AMBIENT LIGHT

Elica studies on hood lighting leaves no stone unturned. Here we have thought about products not only able to light the cooktop, but the entire kitchen space. And so the hood is transformed: from a kitchen appliance to a true lighting element. Considering the design of Elica hoods, it is not hard to imagine how this option is unique, and represents one extraordinary point of strength for us.



LED LIGHT

LED lighting is undoubtedly the smartest solution in terms of energy saving. Expected life time of over 20.000 hours, represents the most remarkable advantage of LED light bulbs.



HUSH SYSTEM

An exclusive sound deadening technology that effectively reduces sound levels by over 35%, compared to typical range hoods.



DIM-LIGHT

The Dimmer allows you to adjust the brightness of the light as you wish. With Elica, lighting is customized in a discreet, personal and practical way, in order to contribute in creating the perfect kitchen atmosphere.



TOP PERFORMANCE

Excellent performance for models equipped with this plus. High fume capturing capacity with an average aspiration range of 600 CFM's. With a noise level between 60-65 db(A) at maximum speed (reference point varies based on the hood category).



CFM REDUCTION

CFM Reduction System (CRS), is an exclusive feature to Elica hoods, which enables the installer to reduce the maximum blower CFM, to meet local code requirements.

Accessories

Optional Recirculating Kit
CODE: KIT0102875 / (30", 36")

Optional Long Chimney Extension
CODE: KIT02785 / (30", 36")