



INSTALLATION MANUAL

COMBINATION

WALL OVEN

Read this installation manual thoroughly before installing the appliance and keep it handy for reference at all times.

ENGLISH

WCES6428*, WCEP6427*



MFL51224815
Rev.01_032423

www.lg.com

Copyright © 2022-2023 LG Electronics Inc. All Rights Reserved.

2

TABLE OF CONTENTS

3 IMPORTANT SAFETY INSTRUCTIONS

3 READ ALL INSTRUCTIONS BEFORE USE

3 Safety Messages

3 WARNING

3 Installation

4 INSTALLATION

4 Before Installing

4 Proper Location and Dimensions

7 Parts / Tools

9 Installing the Oven and Test Run

9 Unpacking and Removing Oven Doors

10 Electrical Requirements

10 Making Electrical Connections

12 Installing Oven and Assembling Oven
Doors and Bottom Decorative Trim

13 Test the Oven Before Use

IMPORTANT SAFETY INSTRUCTIONS

READ ALL INSTRUCTIONS BEFORE USE

Safety Messages

Your safety and the safety of others are very important.

We have provided many important safety messages in this manual and on your appliance. Always read and follow all safety messages.



This is the safety alert symbol.

This symbol alerts you to potential hazards that can kill or injure you and others. All safety messages will follow the safety alert symbol and either the word **WARNING** or **CAUTION**.

These words mean:



WARNING

You may be killed or seriously injured if you do not follow instructions.



CAUTION

You may be injured or cause damage to the product if you do not follow instructions.

All safety messages will tell you what the potential hazard is, tell you how to reduce the chance of injury, and tell you what may happen if the instructions are not followed.

WARNING

WARNING

- To reduce the risk of explosion, fire, death, electric shock, injury or scalding to persons when using this product, follow basic precautions, including the following:

Installation

- Never allow anyone to climb, sit, stand or hang on the oven door. Injury might result from contact with hot food or the oven itself.
- Do not line the oven walls, racks, bottom, or any other part of the oven with aluminum foil or any other material. Doing so will disrupt heat distribution, produce poor baking results and cause permanent damage to the oven interior (aluminum foil will melt to the interior surface of the oven).
- Do not use aluminum foil or any other material to line the oven bottom. Improper installation of oven liners may result in a risk of electric shock or fire.
- Make sure your appliance is properly installed and grounded by a qualified installer, according to the installation instructions. Any adjustment and service should be performed only by qualified installers or service technicians.
- Be certain that all packing materials are removed from the appliance before operating. Keep plastic, clothes, paper, and other flammable materials away from parts of the appliance that may become hot.
- The electrical power must be shut off while the electrical connections are being made.
- Improper connection of aluminum house wiring to copper leads can result in an electrical hazard or fire. Use only connectors designed for joining copper to aluminum and follow the manufacturer's recommended procedure closely.

SAVE THESE INSTRUCTIONS

4 INSTALLATION

INSTALLATION

Before Installing

Proper Location and Dimensions

⚠ CAUTION

- The cabinet base platform must be able to support 202 lbs (92 kg) for this appliance. If the cabinet does not have a solid bottom, two braces or runners must be installed level with the bottom of the cutout to support the weight of the appliance. Make sure the base is level and the front of the cabinet is square. If the cabinet base is not level, the oven racks will tend to slide out when opening the door.
- Make sure the cabinets and wall coverings around the oven can withstand the temperature (up to 194 °F (90 °C)) generated by the oven. Discoloration, delamination or melting may occur.
- DO NOT remove spacers **3** on the side walls of the built-in oven. These spacers center the oven in the space provided. The oven must be centered to prevent excess heat buildup that may result in heat damage or fire.
- Kitchen cabinets in contact with the oven must be heat resistant up to 194°F (90°C), and fronts of nearby units up to at least 158°F (70°C).
- The information in this manual should be followed exactly. Failure to do so could result in fire or electrical shock, causing property damage, personal injury or death.
- DO NOT put any weight on the oven door. Never allow anyone to climb, sit, stand or hang on the oven door. The oven could be tipped and injury might result from contact with hot food or the oven itself.
- DO NOT block the oven air exhaust located at the bottom of the oven. Blocking the exhaust may cause cabinet damage and product malfunction.

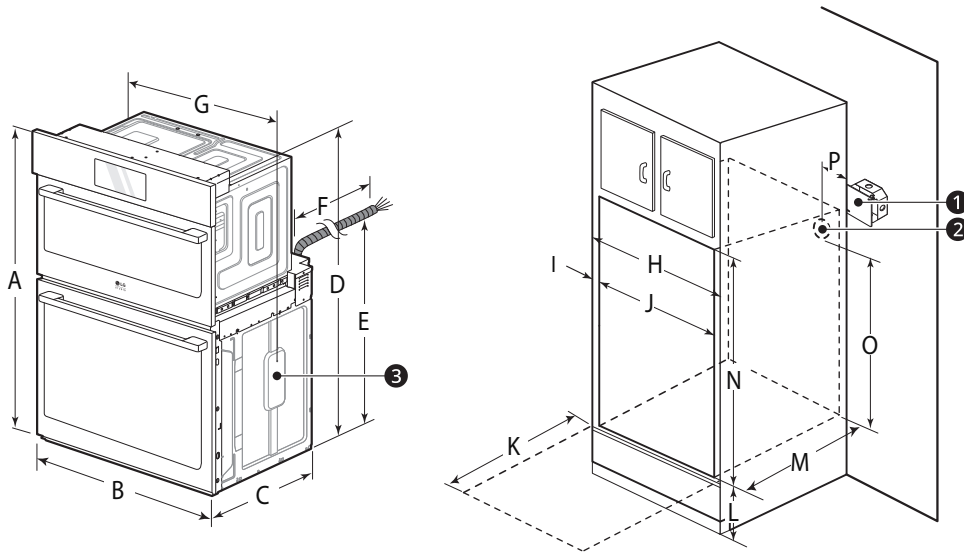
NOTE

- If marks, blemishes or the cutout opening are visible above the installed appliance, it may be necessary to add wood shims under the runners and front trim until the marks or opening are covered.
- If the cabinet does not have a front frame and the sides are less than 3/4" (1.9 cm) thick, shim both sides equally to establish the cutout width.

- The junction box **1** must be flush with the conduit opening **2** of the cabinet as shown below.
- Allow at least a 23" clearance for the door depth when it is open.
- Do not remove the gliding racks from the base packing. Gliding racks are attached separately to the top and bottom of the oven.

Dimensions and Clearances

Measure the current cutout dimensions and compare them to the cutout dimensions shown below. Little or no cabinet work may be necessary. The image may differ from the actual model.

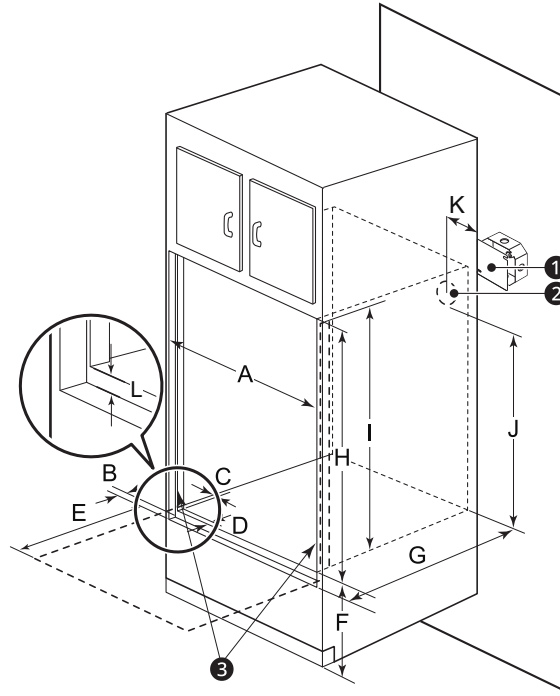


ENGLISH

List		Dimensions
A	Height	43 13/16" (111.3 cm)
B	Width	29 3/4" (75.5 cm)
C	Depth	23 3/8" (59.3 cm)
D	Height (standard installation)	43 3/16" (109.7 cm)
E	Height (power cord)	25 7/8" (65.6 cm)
F	Length (power cord)	60" (152.4 cm)
G	Width (standard installation)	28 7/16" (72.2 cm)
H	Cabinet width	30" (76.2 cm)
I	Overlap of oven	1" (2.5 cm)
J	Cutout width	28 1/2" Min. (72.4 cm) 28 5/8" Max. (72.7 cm)
K	Depth of open door	23" (58.4 cm)
L	Cutout location from floor	12" (30.5 cm)
M	Cutout depth	24" Min. (61.0 cm)
N	Cutout height	43 7/16" Min. (110.3 cm) 43 1/2" Max. (110.5 cm)
O	Height of conduit opening from floor of cutout	39 27/32" (101.2 cm)
P	Distance of conduit opening from side of cabinet	5" (12.7 cm)

6 INSTALLATION

Cutout Dimensions (Flush)

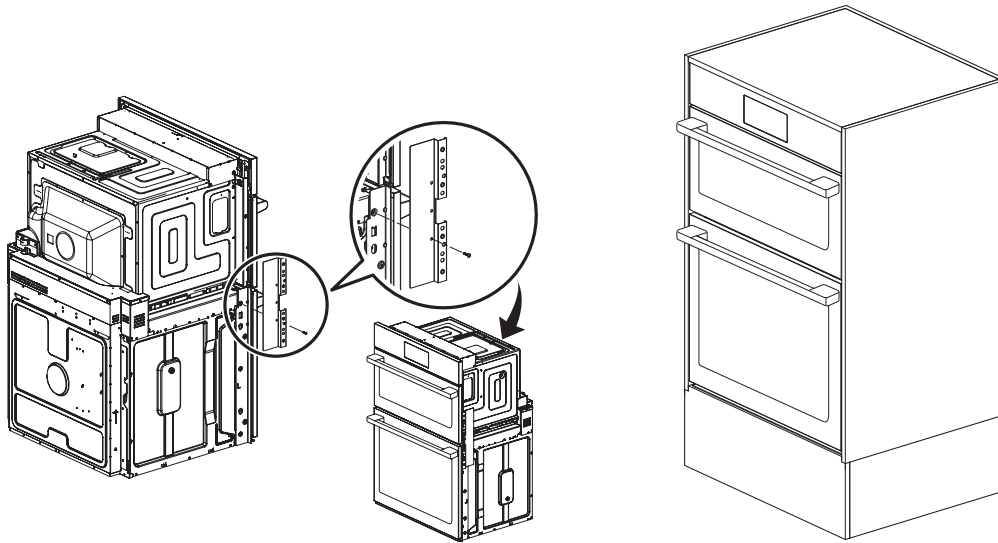


1 Junction box		2 Conduit opening		3 Cleat (Spacer)	
List			Dimensions		
A	Cutout width			30" (76.2 cm)	
B	Cleat (spacer) inset from front of cabinet			1 3/8" (3.5 cm)	
C	Cleat (spacer) width			3/16" (0.5 cm)	
D	Cleat (spacer) depth			1" (2.5 cm)	
E	Depth of open door			23" (58.4 cm)	
F	Bottom of cutout from floor			12" (30.5 cm)	
G	Cutout depth			25" (63.5 cm)	
H	Cutout height			44" (111.8 cm)	
I	Cleat (spacer) height			43 13/16" (111.3 cm)	
J	Height of conduit opening from floor of cutout			39 7/8" (101.2 cm)	
K	Distance of conduit opening from side of cabinet			5" (12.7 cm)	
L	Bottom of bottom decorative trim to vent opening			3/4" (1.9 cm)	

When Installing Flush Cabinet

- The provided cover brackets are only used for flush cabinet installations.

- Remove one screw from the left and right sides as shown. These screw holes will be used to mount the cover brackets. Install the cover brackets on the sides of the oven with the provided self-tapping screws.

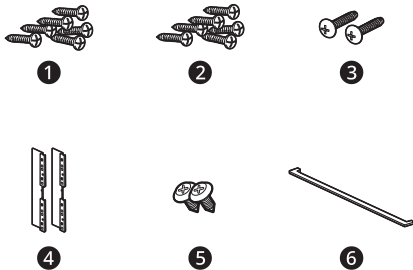


Parts / Tools

⚠ WARNING

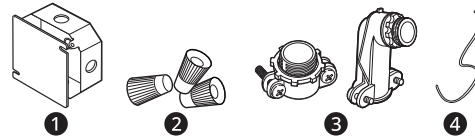
- Mounting screws must be used. Failure to do so can result in the oven falling out of the cabinet causing serious injury.

Parts Provided



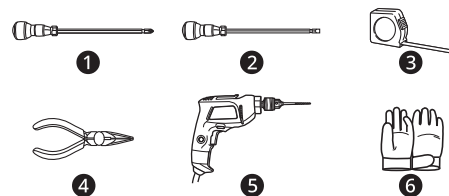
- 1 4X14 6 Wood screws for mounting (4 needed for installation and 2 extras)
- 2 4X24 6 Wood screws for mounting (for flush installation)
- 3 4X22 2 Self-tapping screws for cover bracket
- 4 2 Cover brackets for flush installation
- 5 4X10 2 Screws for bottom decorative trim
- 6 Bottom decorative trim

Parts Not Provided



- 1 Junction Box
- 2 Wire Nuts
- 3 3/4" Conduit Connector
- 4 36" (91 cm) of String

Tools Needed



- 1 Phillips screwdriver
- 2 Flat-blade screwdriver
- 3 Tape measure
- 4 Pliers
- 5 Drill
- 6 Gloves

8 INSTALLATION

NOTE

- Observe all governing codes and ordinances.
 - Have the installer show you the location of the circuit breaker or fuse. Mark it for easy reference.
 - As when using any appliance generating heat, there are certain safety precautions you should follow.
 - Be sure your appliance is installed and grounded properly by a qualified installer or service technician.
-

Installing the Oven and Test Run

Unpacking and Removing Oven Doors

⚠ WARNING

- Keep packing materials out of the reach of children. Packaging material can be dangerous for children. There is a risk of suffocation.
- You should use two or more people to move and install the appliance. (Excessive Weight Hazard) Failure to do so can result in back or other injury.
- Do not use the door handles to push or pull the appliance during installation or when moving the appliance out for cleaning or service. Doing so can result in serious damage to the door of the appliance.
- To reduce the risk of burns, do not move this appliance while it is hot.

NOTE

- To remove any remaining tape or glue, rub the area briskly with your thumb. Tape or glue residue can also be easily removed by rubbing a small amount of liquid dish soap over the adhesive with your fingers. Wipe with warm water and dry.
- Do not use sharp instruments, rubbing alcohol, flammable fluids, or abrasive cleaners to remove tape or glue. These products can damage the surface of your appliance.
- Door removal is not a requirement for installation of the oven, but is an added convenience.

Unpacking Materials

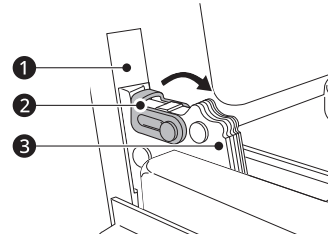
Remove any packing material from the oven before installing the oven.

- 1 Remove all tape from around the oven.
- 2 Open the oven door and remove packaging materials and oven racks inside the oven.

Removing Lower Oven Door

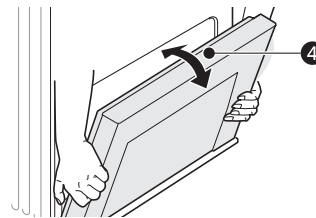
- 1 Fully open the door.

- 2 Unlock the hinge locks, rotating them as far toward the open door frame as they will go.



- 1 Slot
- 2 Hinge lock
- 3 Hinge arm

- 3 Firmly grasp both sides of the door at the top.
- 4 Close the door to the removal position (approximately five degrees ④) which is halfway between the broil stop position and fully closed. If the position is correct, the hinge arms will move freely.



- 5 Lift door up and out until the hinge arm is clear of the slot.
- 6 Place the oven on a table or platform even with the cutout opening. The table or platform must support 202 lbs (92 kg) for a combination wall oven.

NOTE

- Use two hands to remove lower oven door.
- Do not lift the door by the handle. The oven door is very heavy. Firmly grasp the door by the sides before lifting it off the hinges.
- Do not lay the oven door on its handle. Doing so may cause dents or scratches.

10 INSTALLATION

Electrical Requirements

Ensure that dedicated circuit protection is prepared as recommended and that the appliance is grounded properly.

This wall oven must be electrically grounded in accordance with local codes or, in their absence, with the National Electrical Code ANSI/NFPA No.70- latest edition* in United States, or with CSA Standard C22.1-1982 and C22.2 No.01982 (or latest

edition)**, Canadian Electrical Code, Part1, and all local codes and ordinances.

All wiring should conform to Local and NEC codes. This appliance requires a single-phase, 3 wire, A.C 120/208 V or 120/240 V 60 Hz electrical system. Use only a 3-conductor or a 4-conductor UL - listed cord with closed-loop terminals, open-end spade lugs with upturned ends or similar termination. Do not install the power cord without a strain relief.

Appliance rating Watts 240 V		
Power consumption	Protection circuit recommended	Wire gauge recommended
7800 W	50 A	10 AWG

⚠ WARNING

- Do Not ground to a gas pipe.
- Do Not have a fuse in the neutral or grounding circuit.
- A U.L.-listed conduit connector must be provided at the junction box.
- The appliance must be hard wired (direct wired) into an approved junction box. A plug and receptacle is not permitted on these products.
- DO NOT shorten the flexible conduit. The conduit connector must be securely attached to the junction box and the flexible conduit must be securely attached to the conduit connector. If the flexible conduit will not fit within the connector, do not install the oven until a connector of the proper size is obtained.

NOTE

- The power leads supplied with the appliance are UL, CSA recognized for connection to larger gauge household wiring. The insulation of these leads is rated at temperatures much higher than the temperature rating of household wiring. The current carrying capacity of the conductor is governed by the wire gauge and the temperature rating of the insulation around the wire.
- You will need to purchase an appropriate conduit connector to complete the connection of the conduit to the junction box.

Making Electrical Connections

⚠ WARNING

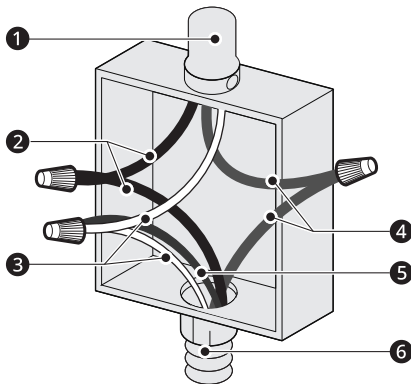
- New branch-circuit installations (1996 NEC), mobile homes, recreational vehicles, or installations where local codes prohibit grounding through the neutral conductor require 4-wire branch-circuit connection.
- Improper connection of aluminum house wiring to copper leads can result in an electrical hazard or fire. Use only connectors designed for joining copper to aluminum and follow the manufacturer's recommended procedure closely.

- 1 Turn off the circuit breaker or remove fuses to the oven branch circuit.
- 2 With the oven positioned directly in front of the cabinet opening, connect the flexible conduit to the electrical junction box. Position the conduit in such a manner that it will lie on top of the oven in a natural loop when the oven is installed.
- 3 If local codes permit connection of the frame grounding conductor to the neutral (white) wire, follow the instructions for a 3-wire circuit connection.
- 4 If used in mobile homes or new construction, or a recreational vehicle, or local codes do not permit connection of the frame grounding conductor to the neutral (white) wire, follow the instructions for a 4-wire circuit connection.

3-Wire Connection from Home Power Supply

⚠ WARNING

- The middle (neutral or ground) wire, which is white, of a 3-wire power cord or a 3-wire conduit has to be connected to the middle post of the main terminal block. The remaining two wires of the power cord or conduit have to be connected to the outside posts of the main terminal connection block. Failure to do so can result in electrical shock, severe personal injury or death.



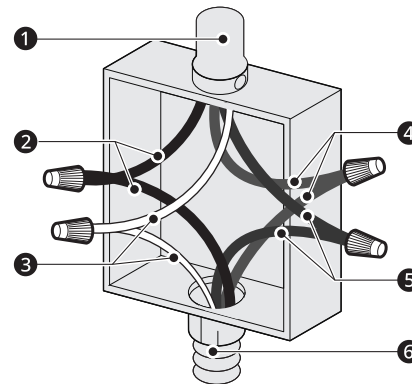
- ❶ Cable from home power supply
- ❷ Black wires
- ❸ White wires
- ❹ Red wires
- ❺ Green (or bare) ground wires
- ❻ 4-wire flexible conduit from oven

- 1 Connect the oven ground (green) wire and neutral (white) wire to the branch circuit neutral (white or gray) wire, using a wire nut.
- 2 Connect the oven red wire to the branch circuit red (L2) wire in accordance with local codes, using a wire nut.
- 3 Connect the oven black wire to the branch circuit black (L1) wire in accordance with local codes, using a wire nut.
- 4 Install the junction box cover.

4-Wire Connection from Home Power Supply

⚠ WARNING

- Only use a 4-conductor power-supply cord kit rated 120/240 volts, 50 amperes and marked for use with ranges with closed-loop connectors or open spade lugs with upturned ends. The white middle (neutral) wire of the power cord or 4-wire conduit has to be connected to the middle post of the main terminal block. The other two wires of the power cord or conduit have to be connected to the outside posts of the main terminal connection block. The 4th ground wire (green) must be connected to the frame of the oven with the ground screw. Failure to do so can result in electrical shock, severe personal injury or death.



- ❶ Cable from home power supply
- ❷ Black wires
- ❸ White wires
- ❹ Red wires
- ❺ Green (or bare) ground wires
- ❻ 4-wire flexible conduit from oven

- 1 Separate the oven ground and white wires if necessary.
- 2 Connect the oven ground (green) wire to the branch circuit ground (green) wire in accordance with local codes, using a wire nut.
- 3 Connect the oven white wire to the branch circuit neutral (white or gray) wire in accordance with local codes, using a wire nut.

12 INSTALLATION

- 4** Connect the oven red wire to the branch circuit red (L2) wire in accordance with local codes, using a wire nut.
- 5** Connect the oven black wire to the branch circuit black (L1) wire in accordance with local codes, using a wire nut.
- 6** Install the junction box cover.

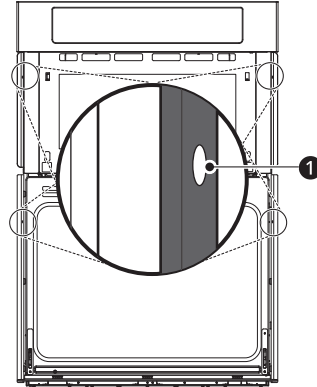
Installing Oven and Assembling Oven Doors and Bottom Decorative Trim

Installing the Oven

Install the oven into the cabinet as follows:

- 1** Use caution when lifting the oven and wear gloves to protect hands from any sharp edges.
- 2** Use two or more people to lift or move the oven into the cabinet opening.
 - Loop (do not tie) a 36" (91 cm) string around the conduit before the oven is slid into place. Lay the string over the top of the oven and use it to keep the conduit from falling behind the oven.
 - Lift oven into cabinet cutout using the oven opening as a grip. Carefully push against the oven front frame. Do not push against outside edges.
 - While sliding the oven back, pull the string so that the conduit lies on the top of the oven in a natural loop.
 - When you are sure the conduit is out of the way, slide the oven 3/4 way back into the opening. Remove the string by pulling on one end of the loop.
- 3** Secure the oven.
 - Using the mounting holes **1** on the oven side trim as a guide, drill pilot holes for screws provided. (For securing the oven,

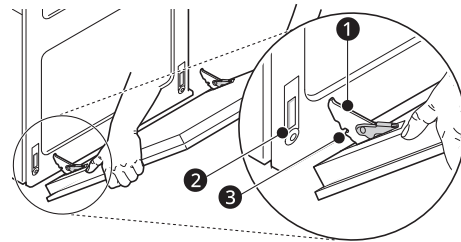
use a minimum of 4 screws, one on each side in both the upper and lower ovens.)



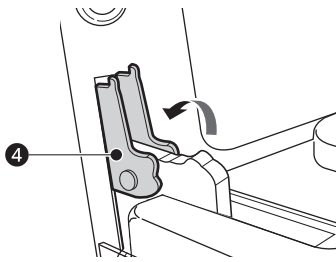
- Secure the oven to the cabinet with screws provided. If the cabinet is particle board, you must use 3/4" particle board screws. These may be purchased at any hardware store.

Assembling Oven Doors

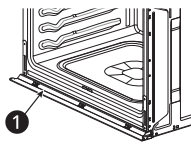
- 1** Firmly grasp both sides of the door at the top.
- 2** With the door at the same angle as the removal position, seat the indentation **3** of the hinge arms **1** into the bottom edge of the hinge slots **2**. The notch in the hinge arms must be fully seated into the bottom edge of the slots.



- 3** Open the door fully. If the door will not open fully, the indentation is not seated correctly in the bottom edge of the slots.
- 4** Lock the hinge locks **4**, rotating them back toward the slots in the oven frame until they lock.



- 5** Close the oven door.

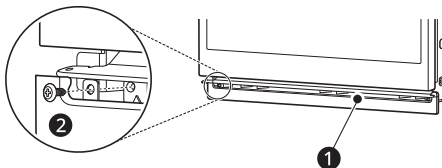


- 1** Bottom vent trim

NOTE

- When you install the oven door, be careful not to bump the bottom vent trim.
- Keep oven vents unobstructed. Replace the bottom vent trim if it becomes bent or deformed. Never block the vent with plastic or heat-sensitive items.

Assembling the Bottom Decorative Trim



- 1** Bottom decorative trim
- After installing the oven in the cabinet, assemble bottom decorative trim with 2 screws **2** (4X10).

Test the Oven Before Use

Each of the functions has been factory checked before shipping. However, it is suggested that you verify the operation of the oven once more. Refer to the Owner's Manual. Follow the instructions for the basic check.

- Turn on power supply. The initial signal sound is heard and the Clock segment appears in the display.

NOTE

- Depending on the model, some of the following functions may not be available.

Common

- 1** Turn on the power supply. The initial signal sound will be heard.
- 2** Check the operation of the broil mode.
 - When the oven is set to broil, the upper element in the oven should become red. After a few minutes, partially open the oven door. You should feel heat from the oven. Touch **Stop**.
- 3** Check the operation of the convection bake mode.
 - After setting the oven to 350 °F / 177 °C for convection baking, the fan inside the oven should come on with the door closed. Touch **Stop**.
- 4** Check the operation of the bake mode.
 - After setting the oven to 350 °F / 177 °C for baking, the temperature of the oven in the display should increase. Touch **Stop**.
- 5** Turn on and off the oven light to check that the lights are in normal condition.

Upper Oven

- 1** Place a glass bowl filled with water in upper oven.
- 2** Turn the microwave on for 1 minute. The water should be hot.
- 3** Touch **Stop**.

14 INSTALLATION

Lower Oven

- 1 Check the operation of the burner for each convection mode.
 - After setting the oven to 350 °F / 177 °C for each convection mode, the back element should light up and the fan inside the oven should come on with the door closed.

NOTE

- A small amount of smoke and odor may be noticeable during the initial break-in period.
- If the oven does not operate properly or an F-, followed by a number, appears in the display, see the Owner's Manual for the troubleshooting list. The list includes common occurrences that are not the result of defective workmanship or materials in this product. If the problem occurs continuously, contact the dealer.
- Refer to the warranty in the Owner's Manual for the LG toll-free service number and address.



MANUEL D'INSTALLATION

FOUR MURAL COMBINÉ

Veillez lire attentivement le présent manuel d'installation avant d'installer l'appareil et conservez-le à portée de la main pour le consulter en tout temps.

FRANÇAIS

WCES6428*, WCEP6427*

www.lg.com

Copyright © 2022-2023 LG Electronics Inc. Tous droits réservés

2

TABLE DES MATIÈRES

3 CONSIGNES DE SÉCURITÉ IMPORTANTES

3 LISEZ TOUTES LES CONSIGNES AVANT L'UTILISATION

3 Messages de sécurité

3 AVERTISSEMENT

3 Installation

5 INSTALLATION

5 Avant l'installation

5 Emplacement approprié et dimensions

8 Pièces / Outils

10 Installation du four et essai

10 Déballage et retrait des portes des fours

11 Alimentation

11 Raccordements électriques

13 Installation du four, et assemblage des
portes de four et de la garniture décorative
inférieure

14 Vérification du four avant son utilisation

CONSIGNES DE SÉCURITÉ IMPORTANTES

LISEZ TOUTES LES CONSIGNES AVANT L'UTILISATION

FRANÇAIS

Messages de sécurité

Il est très important d'assurer votre sécurité et celle des autres.

Nous fournissons de nombreux conseils de sécurité importants dans ce manuel et sur votre appareil. Lisez toujours l'ensemble des messages de sécurité et respectez-les.



Ceci est le symbole d'alerte de sécurité.

Ce symbole vous alerte de dangers potentiels qui peuvent causer la mort ou des blessures. Tous les messages de sécurité seront précédés du symbole d'alerte de sécurité et du terme AVERTISSEMENT ou MISE EN GARDE.

Ces mots signifient :



AVERTISSEMENT

Vous pouvez être tué ou grièvement blessé si vous ne suivez pas les consignes.



MISE EN GARDE

Vous pourriez vous blesser ou endommager le produit si vous ne suivez pas les consignes.

Tous les messages de sécurité vous indiqueront quel est le danger potentiel, comment réduire les risques de blessures et ce qui peut se produire en cas de non-respect des consignes.

AVERTISSEMENT

AVERTISSEMENT

- Pour réduire les risques d'explosion, d'incendie, de mort, de décharge électrique, de blessures ou de brûlure lors de l'utilisation de ce produit, prenez les précautions élémentaires, y compris les suivantes :

Installation

- Ne laissez jamais personne grimper, s'asseoir, se tenir debout sur la porte ou s'y accrocher. Le contact avec des aliments chauds ou avec le four lui-même peut entraîner des blessures.
- Ne couvrez pas les parois du four, les grilles, le fond ou toute autre partie du four avec du papier d'aluminium ou tout autre matériau. Cela modifiera la distribution de chaleur, produira de mauvais résultats de cuisson et causera des dommages permanents à l'intérieur du four (le papier d'aluminium fondra dans le four).
- N'utilisez pas de papier d'aluminium ou tout autre matériau pour couvrir le fond du four. Une mauvaise installation de revêtements dans le four peut provoquer une décharge électrique ou un incendie.
- Assurez-vous que votre appareil est correctement installé et mis à la terre par un installateur qualifié, conformément aux instructions d'installation. Tous les travaux de réparation ou d'entretien doivent être réalisés exclusivement par des installateurs ou des techniciens qualifiés.
- Assurez-vous qu'il n'y a pas de matériaux d'emballage sur l'appareil avant de le mettre en marche. Gardez les pellicules plastiques, les vêtements, le papier et les autres matériaux inflammables loin des parties de l'appareil qui peuvent devenir chaudes.
- L'alimentation électrique doit être coupée pendant le branchement des connexions électriques.

4 CONSIGNES DE SÉCURITÉ IMPORTANTES

- Un mauvais branchement des fils domestiques en aluminium aux fils en cuivre peut causer un court-circuit ou un incendie. N'utilisez que des connecteurs conçus pour raccorder des fils en cuivre et en aluminium, et suivez scrupuleusement la procédure recommandée par le fabricant.

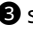
GARDEZ CES CONSIGNES

INSTALLATION

Avant l'installation

Emplacement approprié et dimensions

MISE EN GARDE

- La base de la plateforme de l'armoire doit pouvoir supporter 202 lb (92 kg) pour cet appareil. Si la base de l'armoire n'est pas assez solide, il faut installer deux renforts ou supports au même niveau que la partie inférieure de la découpe pour supporter le poids de l'appareil. Assurez-vous que la base de l'armoire est au niveau et que le devant de l'armoire est perpendiculaire. Si la base de l'armoire n'est pas au niveau, les grilles du four pourraient glisser vers l'extérieur lors de l'ouverture de la porte.
- Assurez-vous que les armoires et les revêtements muraux situés autour du four peuvent résister aux températures générées par le four (jusqu'à 194 °F ou 90 °C). Les matériaux qui les composent peuvent se décolorer, se décoller ou fondre.
- NE retirez PAS les cales  sur les parois latérales du four encastré. Ces cales permettent de centrer le four dans l'espace prévu à cet effet. Le four doit être centré de façon à éviter toute accumulation excessive de chaleur susceptible de provoquer des dommages causés par la chaleur ou un incendie.
- Les armoires de cuisine en contact avec le four doivent pouvoir résister à des températures allant jusqu'à 194 °F (90 °C), et la façade des appareils avoisinants, jusqu'à 158 °F (70 °C).
- Les consignes présentées dans ce manuel doivent être suivies à la lettre. Le non-respect de ces consignes peut causer un incendie, une décharge électrique, des dommages matériels, des blessures ou la mort.
- NE mettez JAMAIS de poids sur la porte du four. Ne laissez jamais personne grimper, s'asseoir, se tenir debout sur la porte ou s'y accrocher. Le four pourrait se renverser, et le contact avec des aliments chauds ou avec le four lui-même pourrait entraîner des blessures.
- NE bloquez PAS la grille de ventilation au bas du four. Cela pourrait endommager l'armoire et causer un mauvais fonctionnement du produit.

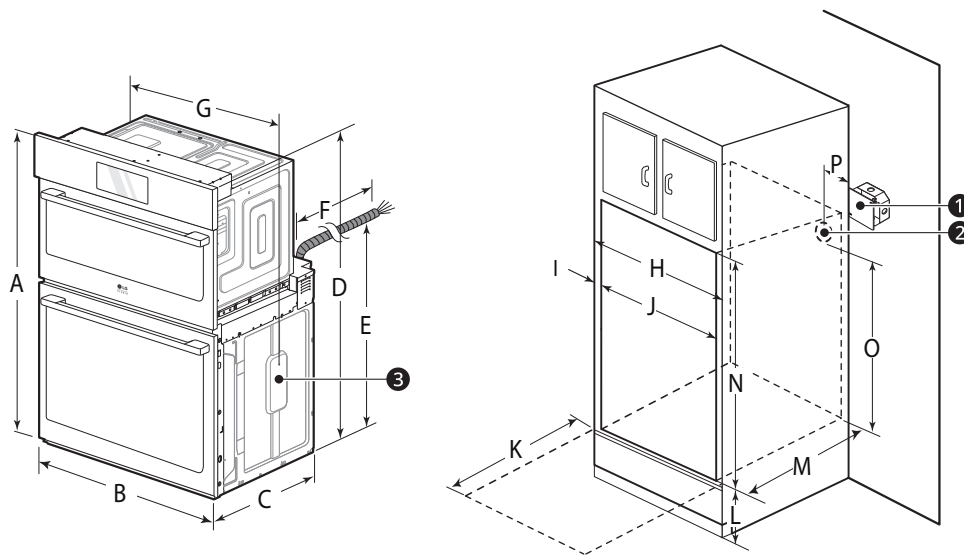
REMARQUE

- Si des marques, des imperfections ou l'ouverture découpée sont visibles au-dessus de l'appareil une fois que celui-ci est installé, il peut être nécessaire d'ajouter des cales de bois sous les supports et la garniture avant jusqu'à ce que les marques ou l'ouverture soient dissimulées.
- Si l'armoire n'a pas de cadre avant et que les côtés ont moins de 3/4 po (1,9 cm) d'épaisseur, calez les deux côtés de façon égale pour établir la largeur de la découpe.
- La boîte de jonction  doit être alignée avec l'ouverture du conduit  de l'armoire comme il est illustré ci-dessous.
- Laissez un dégagement d'au moins 23 po pour la profondeur de la porte lorsqu'elle est ouverte.
- Ne retirez pas les grilles coulissantes de l'emballage de la base. Les grilles coulissantes sont fixées séparément au-dessus et au-dessous du four.

6 INSTALLATION

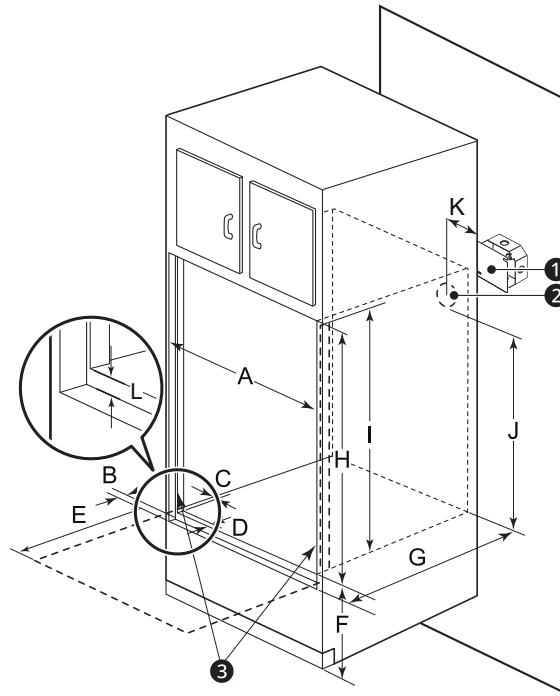
Dimensions et dégagements

Mesurez les dimensions de la découpe actuelle et comparez-les aux dimensions de la découpe indiquées ci-dessous. Il est possible que vous ayez très peu à faire pour préparer l'armoire, voire rien du tout. L'image peut différer du modèle réel.



Liste		Dimensions
A	Hauteur	43 13/16 po (111,3 cm)
B	Largeur	29 3/4 po (75,5 cm)
C	Profondeur	23 3/8 po (59,3 cm)
D	Hauteur (installation standard)	43 3/16 po (109,7 cm)
E	Hauteur (cordon d'alimentation)	25 7/8 po (65,6 cm)
F	Longueur (cordon d'alimentation)	60 po (152,4 cm)
G	Largeur (installation standard)	28 7/16 po (72,2 cm)
H	Largeur de l'armoire	30 po (76,2 cm)
I	Chevauchement du four	1 po (2,5 cm)
J	Largeur de la découpe	28 1/2 po min. (72,4 cm) 28 5/8 po max. (72,7 cm)
K	Profondeur de la porte ouverte	23 po (58,4 cm)
L	Emplacement de la découpe à partir du plancher	12 po (30,5 cm)
M	Profondeur de la découpe	24 po min. (61,0 cm)
N	Hauteur de la découpe	43 7/16 po min. (110,3 cm) 43 1/2 po max. (110,5 cm)
O	Hauteur de l'ouverture du conduit à partir du plancher de la découpe	39 27/32 po (101,2 cm)
P	Distance pour l'ouverture du conduit depuis le côté de l'armoire	5 po (12,7 cm)

Dimensions de la découpe (pour l'installation encastrée)



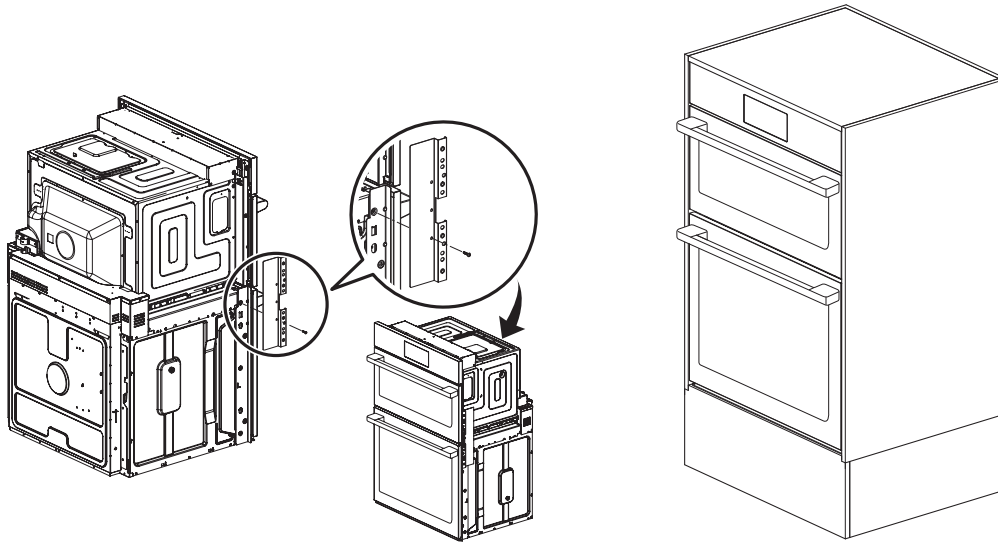
1 Boîte de jonction		2 Ouverture du conduit		3 Cale (espaceur)	
Liste			Dimensions		
A	Largeur de la découpe		30 po (76,2 cm)		
B	Retrait de la cale (espaceur) à partir du devant de l'armoire		1 3/8 po (3,5 cm)		
C	Largeur de la cale (espaceur)		3/16 po (0,5 cm)		
D	Profondeur de la cale (espaceur)		1 po (2,5 cm)		
E	Profondeur de la porte ouverte		23 po (58,4 cm)		
F	Partie inférieure de la découpe à partir du plancher		12 po (30,5 cm)		
G	Profondeur de la découpe		25 po (63,5 cm)		
H	Hauteur de la découpe		44 po (111,8 cm)		
I	Hauteur de la cale (espaceur)		43 13/16 po (111,3 cm)		
J	Hauteur de l'ouverture du conduit à partir du plancher de la découpe		39 7/8 po (101,2 cm)		
K	Distance pour l'ouverture du conduit depuis le côté de l'armoire		5 po (12,7 cm)		
L	De la partie inférieure de la garniture décorative inférieure à l'ouverture de l'évent		3/4 po (1,9 cm)		

Installation encastrée

- Les supports du couvercle fournis sont uniquement utilisés pour l'installation encastrée.

8 INSTALLATION

- Retirez une vis des côtés gauche et droit comme indiqué. Ces trous de vis seront utilisés pour fixer les supports du couvercle. Installez les supports du couvercle sur les côtés du four à l'aide des vis auto-perçues fournies.

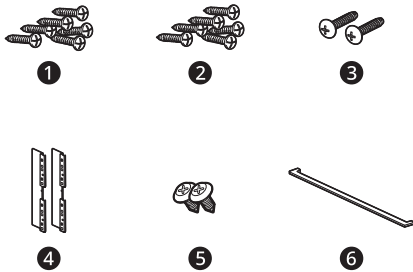


Pièces / Outils

⚠ AVERTISSEMENT

- Les vis de fixation doivent être utilisées. Sinon, le four risque de tomber de l'armoire, ce qui pourrait causer des blessures graves.

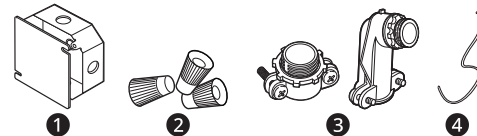
Pièces fournies



- 6 vis à bois 4 × 14 pour la fixation (4 vis pour l'installation et 2 vis supplémentaires)
- 6 vis à bois 4 × 24 pour la fixation (pour l'installation encastrée)
- 2 vis auto-perçues 4 × 22 pour le support du couvercle
- 2 supports de couvercle pour l'installation encastrée
- 2 vis 4 × 10 pour la garniture décorative inférieure

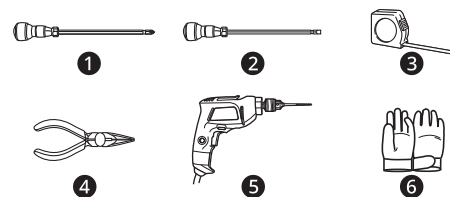
⑥ Garniture décorative inférieure

Pièces non fournies



- Boîte de jonction
- Connecteurs de fils
- Raccord de conduit de 3/4 po
- Ficelle de 36 po (91 cm)

Outils nécessaires



- Tournevis cruciforme
- Tournevis plat
- Ruban à mesurer
- Pinces
- Perceuse

6 Gants

REMARQUE

- Respectez tous les règlements en vigueur.
- Demandez à l'installateur de vous montrer où se trouve le disjoncteur ou le fusible. Pour le repérer facilement, marquez-le.
- Comme avec tout appareil produisant de la chaleur, vous devez respecter certaines consignes de sécurité.
- Assurez-vous que votre appareil est installé et mis à la terre correctement par un installateur ou un technicien qualifié.

10 INSTALLATION

Installation du four et essai

Déballage et retrait des portes des fours

⚠ AVERTISSEMENT

- Gardez le matériel d'emballage hors de portée des enfants. Le matériel d'emballage pose un danger pour les enfants. Il y a un risque de suffocation.
- Au moins deux personnes sont nécessaires pour déplacer et installer l'appareil. (Danger lié au grand poids de l'appareil.) Le non-respect de cette directive peut causer des blessures au dos ou d'autres blessures.
- N'utilisez pas la poignée de la porte pour pousser ou tirer l'appareil pendant son installation ou lors de son déplacement pour le nettoyage ou l'entretien. Cela pourrait endommager gravement la porte de l'appareil.
- Afin de réduire les risques de brûlures, ne déplacez jamais cet appareil lorsqu'il est chaud.

REMARQUE

- Pour supprimer des résidus de ruban adhésif ou de colle, frottez vigoureusement la surface avec le pouce. Les résidus de ruban adhésif ou de colle peuvent également être enlevés en frottant une petite quantité de savon à vaisselle liquide sur l'adhésif avec les doigts. Essuyez avec de l'eau chaude, puis séchez.
- N'utilisez pas d'instruments tranchants, d'alcool à friction, de liquides inflammables ou de nettoyants abrasifs pour enlever du ruban adhésif ou de la colle. Ces produits peuvent endommager la surface de votre appareil.
- Il n'est pas nécessaire d'enlever la porte pour installer le four, mais cela facilitera l'installation.

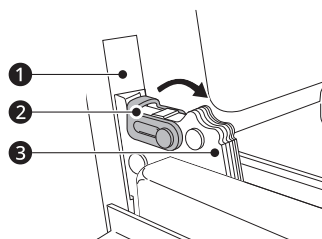
Déballage des matériaux

Retirez tout matériau d'emballage du four avant d'installer ce dernier.

- 1 Enlevez tous les morceaux de ruban adhésif du four.
- 2 Ouvrez la porte du four et retirez les matériaux d'emballage et les grilles à l'intérieur du four.

Retrait de la porte du four inférieur

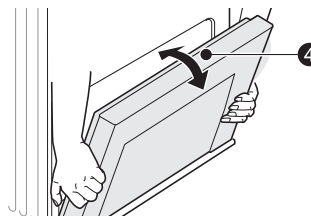
- 1 Ouvrez entièrement la porte.
- 2 Déverrouillez les verrous de charnière en les faisant pivoter autant que possible vers le cadre de la porte ouverte.



- 1 Fente
- 2 Verrou de charnière
- 3 Bras de charnière

- 3 Saisissez fermement les deux côtés de la porte par le haut.

- 4 Fermez la porte jusqu'à sa position de retrait (environ cinq degrés **4**), qui se trouve à mi-chemin entre la position d'arrêt du gril et la position de fermeture complète. Si la porte est placée dans la bonne position, les bras de charnière bougeront sans problème.



- 5 Soulevez la porte vers le haut et l'extérieur jusqu'à ce que les bras de charnière soient complètement sortis des fentes.

- 6 Placez le four sur une table ou une plateforme au même niveau que l'ouverture de la découpe. La table ou la plateforme doit pouvoir supporter 202 lb (92 kg) pour un four mural combiné.

REMARQUE

- Utilisez les deux mains pour retirer la porte du four inférieur.
- Ne soulevez pas la porte en la tenant par la poignée. La porte du four est très lourde. Saisissez fermement la porte par les côtés avant de la soulever des charnières.
- Ne posez pas la porte du four sur sa poignée. Cela pourrait la rayer ou faire des marques.

Alimentation

Veillez à ce qu'un circuit dédié protégé soit prévu comme recommandé et que l'appareil soit mis à la terre correctement.

Ce four mural doit être mis à la terre conformément aux codes locaux ou, en leur absence, conformément à la norme ANSI/NFPA 70 (dernière édition*) du National Electrical Code des États-Unis, ou aux normes CSA C22.1-1982 et C22.2 N° 01982 (dernière édition**), partie 1, du Code canadien de l'électricité ainsi qu'à toutes les normes et réglementations locales.

Tout le câblage doit être conforme aux normes locales ainsi qu'au National Electrical Code des États-Unis. Cet appareil nécessite un système électrique monophasé à 3 fils, 120/208 V c.a. ou 120/240 V c.a., 60 Hz. N'utilisez qu'un cordon d'alimentation à 3 ou 4 conducteurs homologués UL avec des bornes en boucle fermée, des cosses à fourche à extrémité ouverte et retournée ou un raccordement similaire. N'installez pas le cordon d'alimentation sans serre-câbles.

Puissance de l'appareil en watts 240 V		
Consommation électrique	Circuit de protection recommandé	Calibre de fils recommandé
7800 W	50 A	10 AWG

AVERTISSEMENT

- NE mettez PAS à la terre au moyen d'un tuyau d'alimentation en gaz.
- N'installez PAS de fusible sur un circuit neutre ou de mise à la terre.
- Un connecteur de conduit homologué UL doit être fourni à la boîte de jonction.
- L'appareil doit être câblé (directement câblé) dans une boîte de jonction approuvée. Il est interdit d'installer une fiche et une prise de courant sur ces produits.
- NE raccourcissez PAS le conduit flexible. Le connecteur de conduit doit être solidement fixé à la boîte de jonction, et le conduit flexible doit être solidement fixé au connecteur de conduit. Si le conduit flexible ne rentre pas dans le connecteur, n'installez pas le four avant d'avoir obtenu un connecteur de la taille appropriée.

câblage et la température de fonctionnement de l'isolation entourant le câble.

- Vous devrez acheter un connecteur de conduit approprié pour terminer le raccordement du conduit à la boîte de jonction.

Raccordements électriques**AVERTISSEMENT**

- Les nouvelles installations de dérivation (1996 NEC), les maisons mobiles, les véhicules de loisirs ou les installations dans les régions où la réglementation locale interdit la mise à la terre par le conducteur neutre nécessitent une connexion de circuit de dérivation à 4 fils.
- Un mauvais branchement des fils domestiques en aluminium aux fils en cuivre peut causer un court-circuit ou un incendie. N'utilisez que des connecteurs conçus pour raccorder des fils en cuivre et en aluminium, et suivez scrupuleusement la procédure recommandée par le fabricant.

REMARQUE

- Les câbles d'alimentation fournis avec l'appareil sont homologués UL et CSA pour un branchement à des fils domestiques de plus gros calibre. L'isolation de ces câbles est évaluée à des températures bien plus élevées que la température de fonctionnement du câblage domestique. Le courant permanent admissible du câble conducteur est régi par le calibre du

- 1 Coupez le disjoncteur ou retirez les fusibles du circuit de dérivation du four.

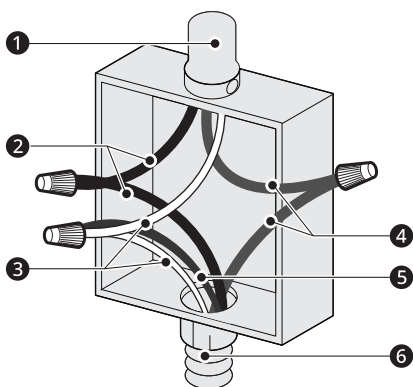
12 INSTALLATION

- 2 Placez le four directement devant l'ouverture de l'armoire et raccordez le conduit flexible à la boîte de jonction. Placez le conduit de façon à ce qu'il repose sur le four en formant une boucle naturelle lorsque le four est installé.
- 3 Si les codes locaux permettent la connexion du conducteur de mise à la terre du cadre au fil neutre (blanc), suivez les instructions pour une connexion de circuit à 3 fils.
- 4 Si le four est installé dans une maison mobile, une nouvelle construction ou un véhicule récréatif, ou si les codes locaux ne permettent pas la connexion du conducteur de mise à la terre du cadre au fil neutre (blanc), suivez les instructions pour une connexion de circuit à 4 fils.

Raccordement à 3 fils à l'alimentation électrique de la maison

⚠ AVERTISSEMENT

- Le fil blanc central (neutre ou de mise à la terre) d'un cordon d'alimentation à trois fils ou d'un conduit à trois fils doit être raccordé à la borne centrale du bornier principal. Les deux autres fils du cordon d'alimentation ou du conduit doivent être raccordés aux bornes extérieures du bornier principal. Le non-respect de cette consigne peut entraîner une décharge électrique, des blessures corporelles graves ou la mort.



- 1 Câble du bloc d'alimentation de la maison
- 2 Fils noirs
- 3 Fils blancs
- 4 Fils rouges

- 5 Fils de mise à la terre verts (ou dénudés)

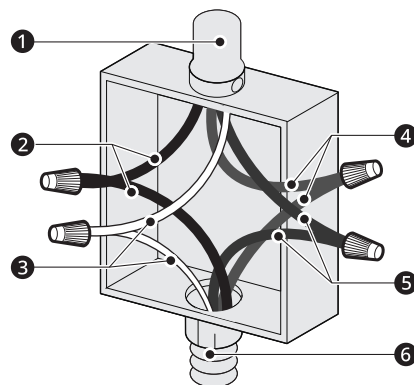
- 6 Conduit flexible à 4 fils partant du four

- 1 Connectez le fil de mise à la terre (vert) et le fil neutre (blanc) du four au fil neutre (blanc ou gris) du circuit de dérivation à l'aide d'un connecteur de fils.
- 2 Connectez le fil rouge du four au fil rouge du circuit de dérivation (L2), conformément aux codes locaux, à l'aide d'un connecteur de fils.
- 3 Connectez le fil noir du four au fil noir du circuit de dérivation (L1), conformément aux codes locaux, à l'aide d'un connecteur de fils.
- 4 Installez le couvercle de la boîte de jonction.

Raccordement à 4 fils à l'alimentation électrique de la maison

⚠ AVERTISSEMENT

- Utiliser seul un cordon d'alimentation à 4 conducteurs dont la tension nominale est de 120/240 V, 50 A et identifié en vue d'une utilisation avec des cuisinières équipées de connecteurs en boucle fermée ou de cosses à fourche ouvertes à bout renversé. Le fil blanc central (neutre) du cordon d'alimentation ou du conduit à 4 fils doit être raccordé à la borne centrale du bornier principal. Les deux autres fils du cordon d'alimentation ou du conduit doivent être raccordés aux bornes extérieures du bornier principal. Le quatrième fil de mise à la terre (vert) doit être raccordé au cadre du four à l'aide de la vis de mise à la terre. Le non-respect de cette consigne peut entraîner une décharge électrique, des blessures corporelles graves ou la mort.



1 Câble du bloc d'alimentation de la maison**2** Fils noirs**3** Fils blancs**4** Fils rouges**5** Fils de mise à la terre verts (ou dénudés)**6** Conduit flexible à 4 fils partant du four

1 Séparez le fil de mise à la terre et le fil blanc du four si nécessaire.

2 Connectez le fil de mise à la terre (vert) du four au fil de mise à la terre (vert) du circuit de dérivation, conformément aux codes locaux, à l'aide d'un connecteur de fils.

3 Connectez le fil blanc du four au fil neutre (blanc ou gris) du circuit de dérivation, conformément aux codes locaux, à l'aide d'un connecteur de fils.

4 Connectez le fil rouge du four au fil rouge du circuit de dérivation (L2), conformément aux codes locaux, à l'aide d'un connecteur de fils.

5 Connectez le fil noir du four au fil noir du circuit de dérivation (L1), conformément aux codes locaux, à l'aide d'un connecteur de fils.

6 Installez le couvercle de la boîte de jonction.

Installation du four, et assemblage des portes de four et de la garniture décorative inférieure

Installation du four

Installez le four dans l'armoire comme suit :

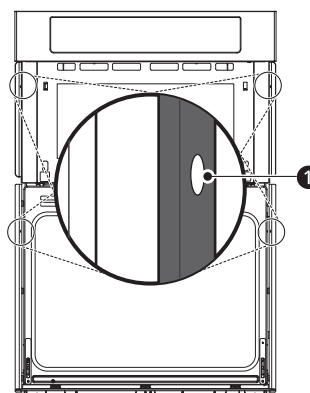
1 Faites preuve de prudence lorsque vous soulevez le four et portez des gants pour protéger vos mains de tout bord tranchant.

2 Au moins deux personnes sont nécessaires pour soulever ou déplacer le four dans l'ouverture de l'armoire.

- Bouclez (n'attachez pas) une ficelle de 36 po (91 cm) autour du conduit avant de glisser le four en place. Placez la ficelle sur le dessus du four et utilisez-la pour empêcher le conduit de tomber derrière le four.
- Utilisez l'ouverture du four pour le soulever et le glisser dans la découpe pratiquée dans l'armoire. Poussez délicatement sur le cadre avant du four. Ne poussez pas sur les bords extérieurs.
- En faisant glisser le four vers l'arrière, tirez la ficelle de façon à ce que le conduit repose sur le dessus du four en formant une boucle naturelle.
- Lorsque vous êtes certain que le conduit ne se trouve pas dans le passage, faites glisser le four jusqu'aux trois quarts de la profondeur de l'ouverture. Retirez la ficelle en tirant sur une des extrémités de la boucle.

3 Fixez le four.

- Servez-vous des trous de fixation **1** sur la garniture latérale du four comme guides pour percer les trous de dégagement qui logeront les vis fournies. (Pour fixer le four, utilisez au moins quatre vis, une de chaque côté des fours supérieur et inférieur.)



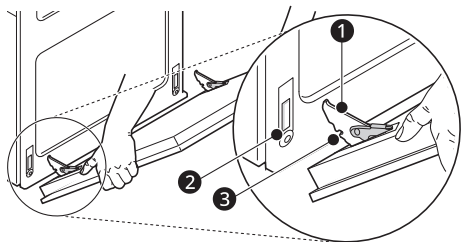
- Fixez le four à l'armoire à l'aide des vis fournies. Si l'armoire est en panneaux de particules, vous devez utiliser des vis à panneaux de particules de 3/4 po. Vous en trouverez en quincaillerie.

Assemblage des portes de four

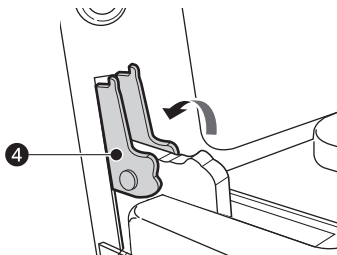
1 Saisissez fermement les deux côtés de la porte par le haut.

14 INSTALLATION

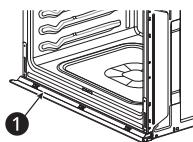
- 2** En plaçant la porte dans le même angle que la position de retrait, placez l'encoche **3** des bras de charnière **1** dans le bord inférieur des fentes de charnière **2**. L'encoche des bras de charnière doit être entièrement placée dans le bord inférieur des fentes.



- 3** Ouvrez complètement la porte. Si la porte ne s'ouvre pas complètement, cela veut dire que l'encoche n'est pas adéquatement placée dans le bord inférieur des fentes.
- 4** Enclenchez les verrous de charnière **4** en les faisant pivoter en arrière vers les fentes du cadre du four jusqu'à ce qu'ils soient engagés.



- 5** Fermez la porte du four.

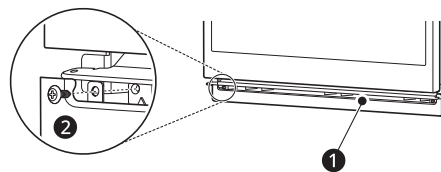


- 1** Garniture de l'évent inférieur

REMARQUE

- Lorsque vous installez la porte du four, faites attention de ne pas heurter la garniture inférieure.
- Gardez les événements du four dégagés. Remplacez la garniture de l'évent inférieur si elle devient tordue ou déformée. Ne bloquez jamais l'évent avec des objets en plastique ou sensibles à la chaleur.

Assemblage de la garniture décorative inférieure



- 1** Garniture décorative inférieure

- Après l'installation du four dans l'armoire, assemblez la garniture décorative inférieure à l'aide des deux vis **2** (4 × 10).

Vérification du four avant son utilisation

Chacune des fonctions a été vérifiée en usine avant l'expédition. Toutefois, il est suggéré de vérifier le fonctionnement du four une fois de plus. Consultez le manuel d'utilisation. Suivez les instructions pour la vérification de base.

- Mettez l'appareil sous tension. Un signal sonore se fera entendre et le segment Clock (Horloge) s'affichera à l'écran.

REMARQUE

- Selon le modèle, certaines des fonctions suivantes pourraient ne pas être offertes.

Fonctions communes

- 1** Allumez l'alimentation. Le signal sonore initial se fera entendre.
- 2** Vérifiez le fonctionnement du mode Grillage.
 - Lorsque le four est réglé sur le mode Grillage, l'élément supérieur du four devrait devenir rouge. Après quelques minutes, ouvrez partiellement la porte du four. Vous devriez sentir la chaleur du four. Appuyez sur **Stop** (arrêt).
- 3** Vérifiez le fonctionnement du mode Cuisson par convection.
 - Après avoir réglé le four à 350 °F/177 °C pour la cuisson par convection, le ventilateur à l'intérieur du four devrait se mettre en marche lorsque la porte est fermée. Appuyez sur **Stop** (arrêt).

4 Vérifiez le fonctionnement du mode Cuisson.

- Lorsque le four est réglé à 350 °F/177 °C pour la cuisson, la température affichée à l'écran devrait augmenter. Appuyez sur **Stop** (arrêt).

5 Allumez et éteignez l'éclairage du four pour vérifier qu'il fonctionne bien.

Four supérieur

1 Placez un bol en verre rempli d'eau dans le four supérieur.

2 Faites fonctionner le micro-ondes pendant 1 minute. L'eau devrait être chaude.

3 Appuyez sur **Stop** (arrêt).

Four inférieur

1 Vérifiez le fonctionnement du brûleur pour chaque mode de convection.

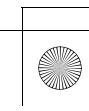
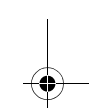
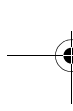
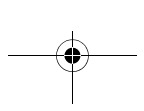
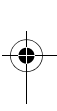
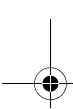
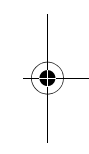
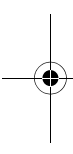
- Après avoir réglé le four à 350 °F/177 °C pour chaque mode de convection, l'élément arrière devrait s'allumer, et le ventilateur à l'intérieur du four devrait se mettre en marche lorsque la porte est fermée.

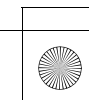
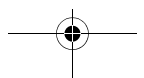
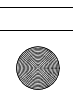
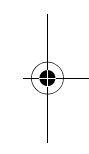
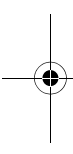
REMARQUE

- Une petite quantité de fumée et une certaine odeur peuvent être perceptibles lors des premières utilisations.
- Si le four ne fonctionne pas correctement ou si « F- » suivi d'un chiffre s'affiche, consultez la liste de dépannage du manuel d'utilisation. La liste comprend des problèmes courants qui ne sont pas le résultat d'un défaut de matériaux ou de fabrication du produit. Si le problème se répète, communiquez avec le détaillant.
- Reportez-vous à la garantie qui se trouve dans le manuel d'utilisation pour connaître le numéro sans frais du service à la clientèle et l'adresse de LG.



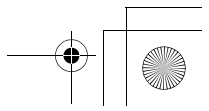
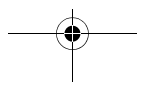
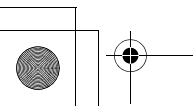
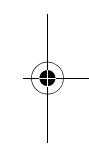
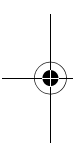
16 AIDE-MÉMOIRE

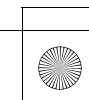
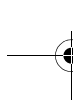
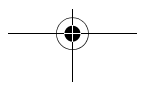
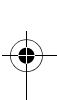
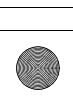
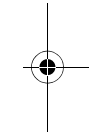
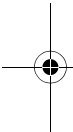






18 AIDE-MÉMOIRE







LG Customer Information Center

For inquiries or comments,
visit **www.lg.com** or call:

1-800-243-0000 U.S.A.
1-888-542-2623 CANADA

Register your product Online!

www.lg.com