

## Single-Door All Refrigerator and All Freezer Trim Kit Installation

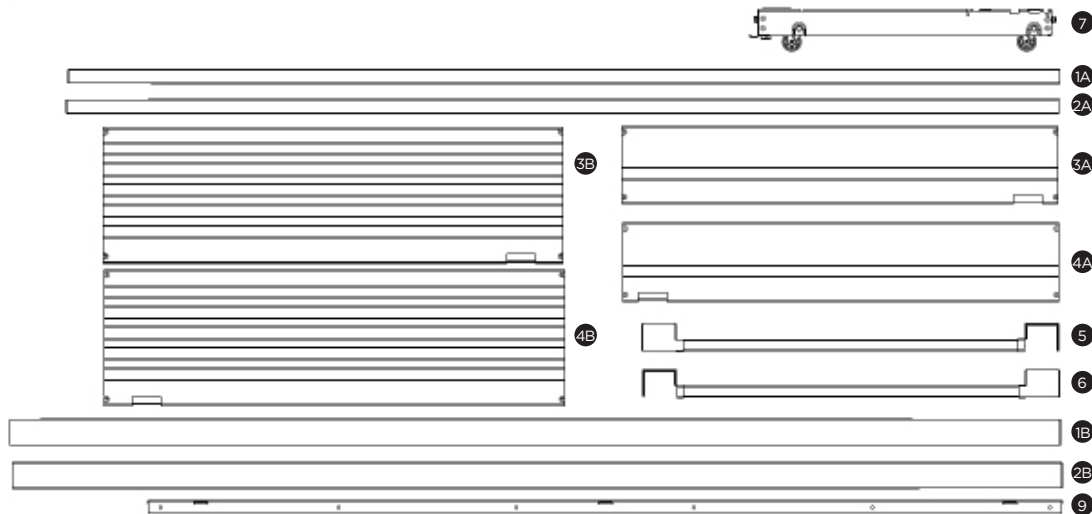
Product Line: All Refrigerator and All Freezer Models

Serial Number Range: All Serial Number Ranges

### Single Trim Kit Components (79" & 84" Tall Cabinet Cutouts)

Brand		Kit #	Single Trim Kit #
Frigidaire Professional		TRMKTEZ1FL79	A16405201
Item #	Part Number	Description	Qty
1A	A18684901	Side Trim, RH	1
2A	A18684902	Side Trim, LH	1
3A	A16766503	Top Trim, Flat RH	1
4A	A16766505	Top Trim, Flat LH	1
5	A18684505	Toe Kick, RH	1
6	A18684507	Toe Kick, LH	1
7	A17111301	Leveler Assembly	2
8	A20841303	Hardware Pack U19, Single	1

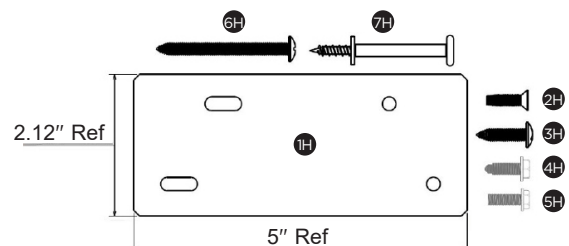
Brand		Kit #	Single Trim Kit #
Electrolux		TRMKTSSILV84	A19895901
Item #	Part Number	Description	Qty
1B	A19036503	Side Trim, RH	1
2B	A19036504	Side Trim, LH	1
3B	A19036402	Top Trim, Louver RH	1
4B	A19036403	Top Trim, Louver LH	1
5	A18684506	Toe Kick, RH	1
6	A18684508	Toe Kick, LH	1
7	A17111301	Leveler Assembly	2
8	A20841304	Hardware Pack U19, Single	1
9	A19036701	Side Trim Attachment	2



Hardware Pack A20841303			
ITEM	PART NUMBER	DESCRIPTION	QTY
1H	A18695801	Tie-Bar, Top	1
2H	297142600	Screw, Flathead, #8-32	2
3H	050149	Screw, Round, #8-18	4
4H	A16955502	Bolt, M5 x 16	6
5H	A21188301	Bolt, 1/4"-20	2
6H, 7H	A20706101	Trim Base Screw	1

Hardware Pack A20841304			
ITEM	PART NUMBER	DESCRIPTION	QTY
1H	A18695801	Tie-Bar, Top	1
2H	297142600	Screw, Flathead, #8-32	2
3H	050149	Screw, Round, #8-18	12
4H	A16955502	Bolt, M5 x 16	6
5H	A21188301	Bolt, 1/4"-20	2

**NOTE:** All Hardware Pack components mentioned throughout this instruction sheet will have an "H" after the item number.



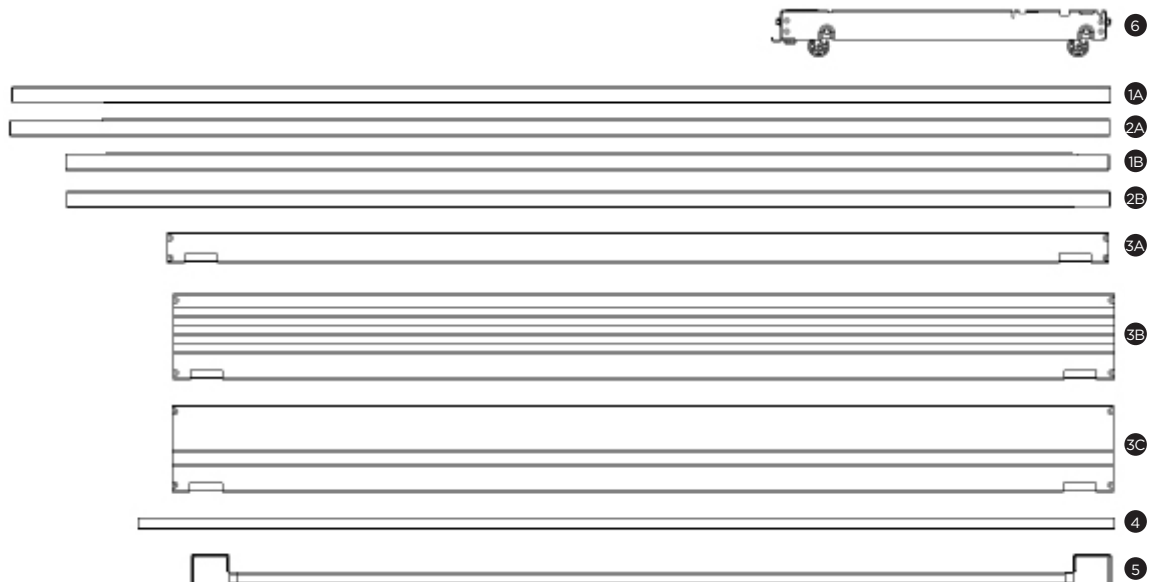
**Dual Trim Kit Components (75" & 79" Tall Cabinet Cutouts)**

Brand		Kit #	Dual Trim Kit #
Frigidaire		TRMKTEZ2FL75	A18643301
Item #	Part Number	Description	Qty
1B	A18685001	Side Trim, RH	1
2B	A18685002	Side Trim, LH	1
3A	A18694901	Top Trim, Collar	1
4	A18685101	Center Trim	1
5	A18684501	Toe Kick	1
6	A17111301	Leveler Assembly	4
7	A20841301	Hardware Pack U19, Single	1

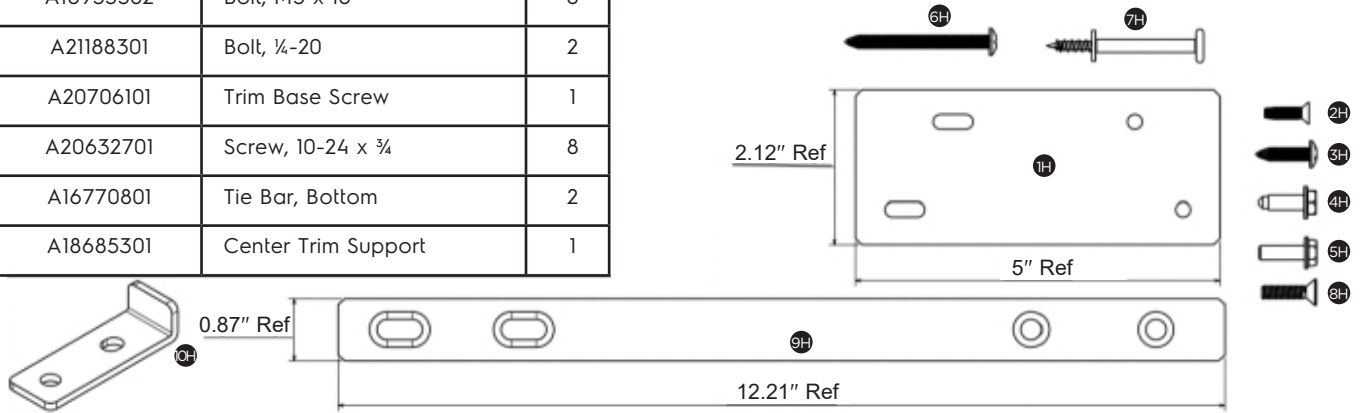
Brand		Kit #	Dual Trim Kit #
Frigidaire		TRMKTEZ2LV79	A16405401
Item #	Part Number	Description	Qty
1A	A18684901	Side Trim, RH	1
2A	A18684902	Side Trim, LH	1
3B	A18804301	Top Trim, Louver	1
4	A18685101	Center Trim	1
5	A18684501	Toe Kick	1
6	A17111301	Leveler Assembly	4
7	A20841301	Hardware Pack U19, Single	1

Brand		Kit #	Dual Trim Kit #
Frigidaire		TRMKTEZ2FL79	A16404901
Item #	Part Number	Description	Qty
1A	A18684901	Side Trim, RH	1
2A	A18684902	Side Trim, LH	1
3C	A16766501	Top Trim, Flat	1
4	A18685101	Center Trim	1
5	A18684501	Toe Kick	1
6	A17111301	Leveler Assembly	4
7	A20841301	Hardware Pack U19, Single	1

Brand		Kit #	Dual Trim Kit #
Electrolux		TRMKTSS2FL79	A16404902
Item #	Part Number	Description	Qty
1A	A18684903	Side Trim, RH	1
2A	A18684904	Side Trim, LH	1
3C	A16766502	Top Trim, Flat	1
4	A18685102	Center Trim	1
5	A18684502	Toe Kick	1
6	A17111301	Leveler Assembly	4
7	A20841301	Hardware Pack U19, Single	1

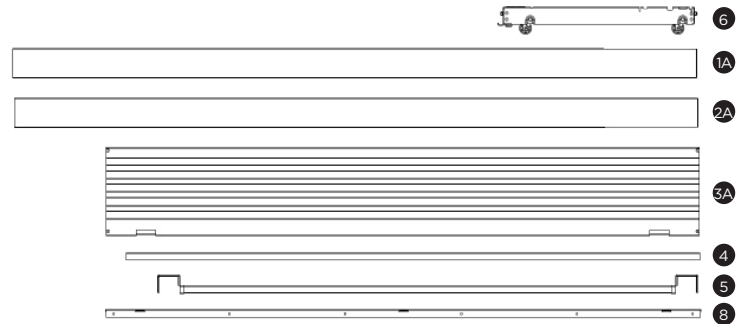


Hardware Pack A20841301			
ITEM	PART NUMBER	DESCRIPTION	QTY
1H	A18695801	Tie-Bar, Top	1
2H	297142600	Screw, Flathead, #8-32	2
3H	050149	Screw, Round, #8-18	4
4H	A16955502	Bolt, M5 x 16	6
5H	A21188301	Bolt, 1/4"-20	2
6H, 7H	A20706101	Trim Base Screw	1
8H	A20632701	Screw, 10-24 x 3/4	8
9H	A16770801	Tie Bar, Bottom	2
10H	A18685301	Center Trim Support	1

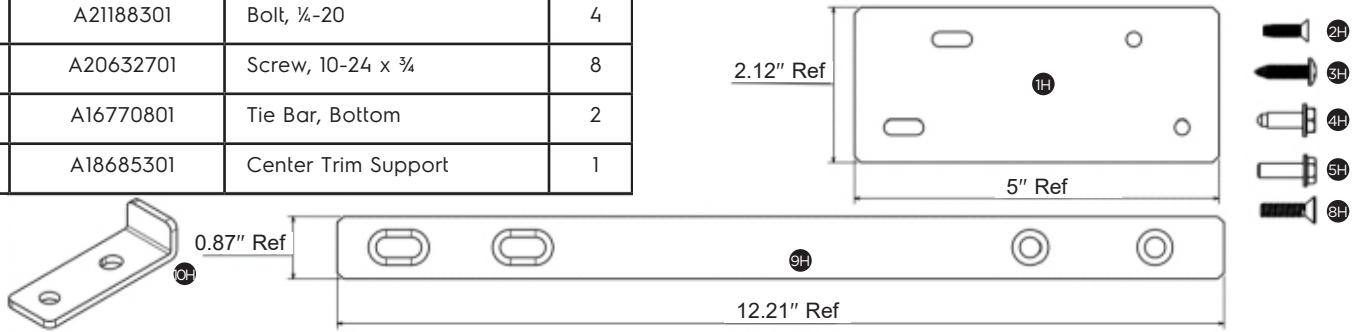


### Dual Trim Kit Components (84" Tall Cabinet Cutouts)

Brand		Kit #	Dual Trim Kit #
Electrolux		TRMKTSS2LV84	A16405301
Item #	Part Number	Description	Qty
1A	A19036501	Side Trim, RH	1
2A	A19036502	Side Trim, LH	1
3A	A19036401	Top Trim, Louver	1
4	A18685102	Center Trim	1
5	A18684502	Toe Kick	1
6	A17111301	Leveler Assembly	4
7	A20841302	Hardware Pack U19, Double	1
8	A19036701	Side Trim Attachment	2



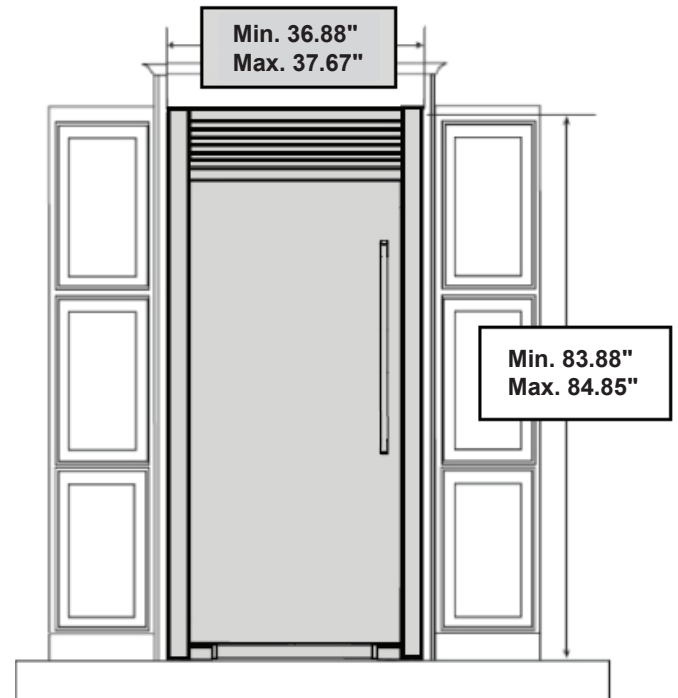
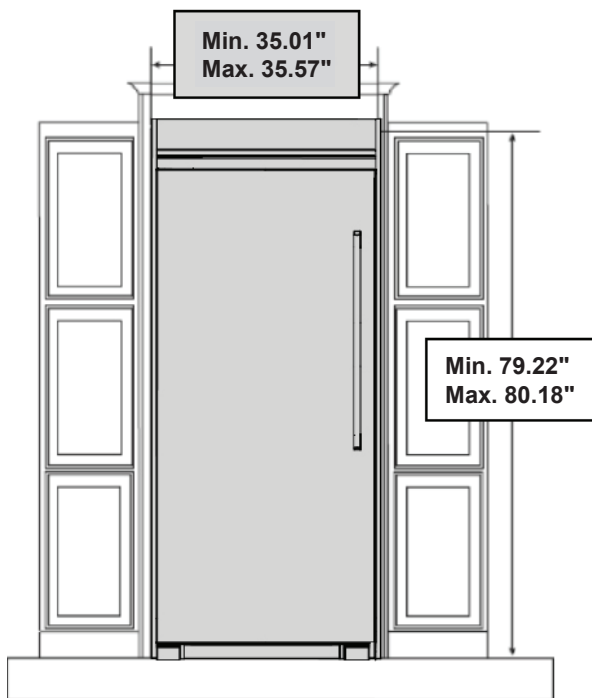
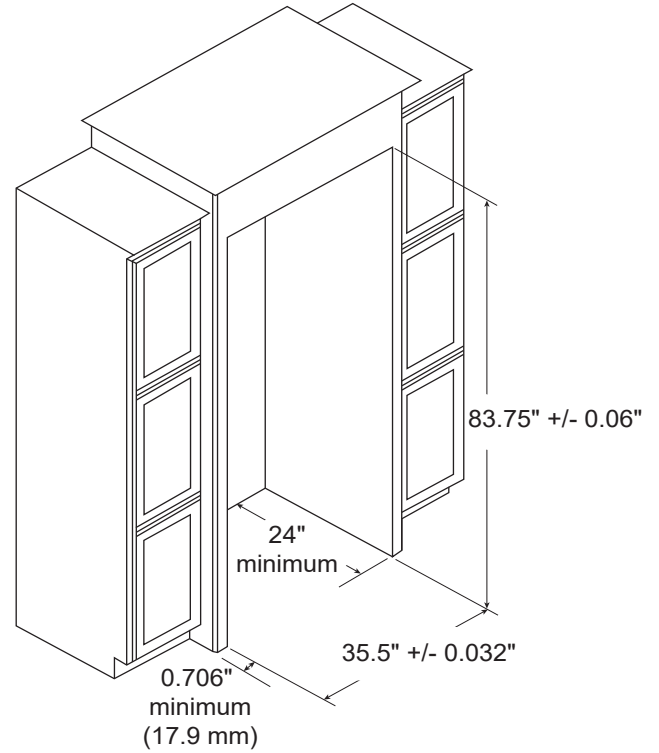
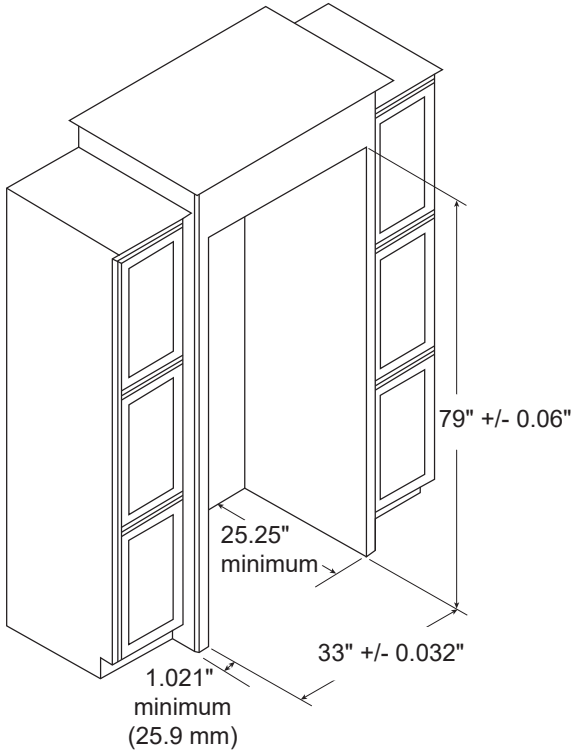
Hardware Pack A20841301			
ITEM	PART NUMBER	DESCRIPTION	QTY
1H	A18695801	Tie-Bar, Top	1
2H	297142600	Screw, Flathead, #8-32	2
3H	050149	Screw, Round, #8-18	12
4H	A16955502	Bolt, M5 x 16	14
5H	A21188301	Bolt, 1/4"-20	4
8H	A20632701	Screw, 10-24 x 3/4	8
9H	A16770801	Tie Bar, Bottom	2
10H	A18685301	Center Trim Support	1



**Single Trim Kits (79" & 84" Tall Cabinet Cutouts)**

**TRMKTEZ1FL79 (Frigidaire)**

**TRMKTSSILV84 (Electrolux)**

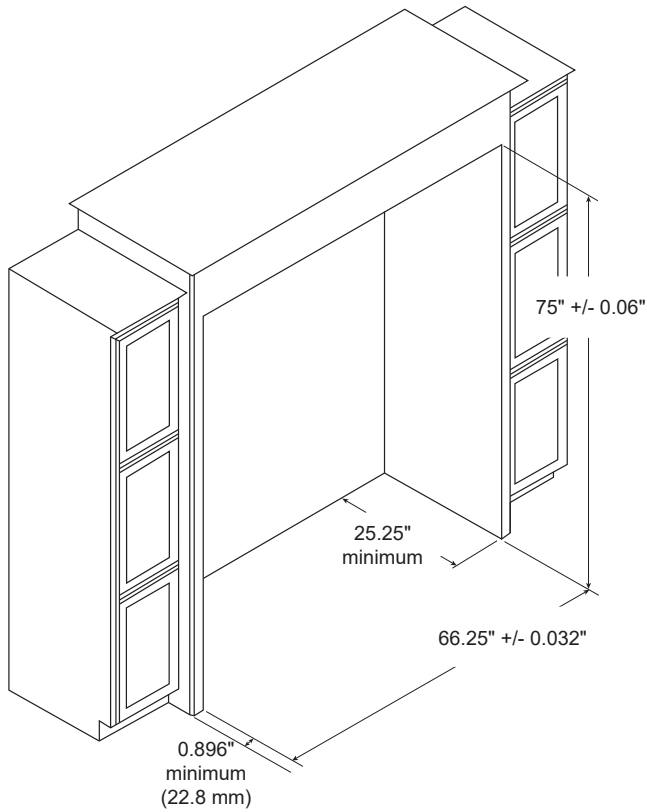


**Dual Trim Kits (75" & 79" Tall Cabinet Cutouts)**

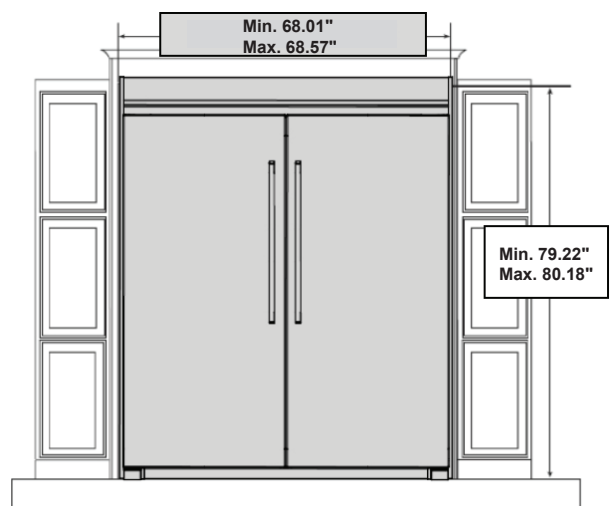
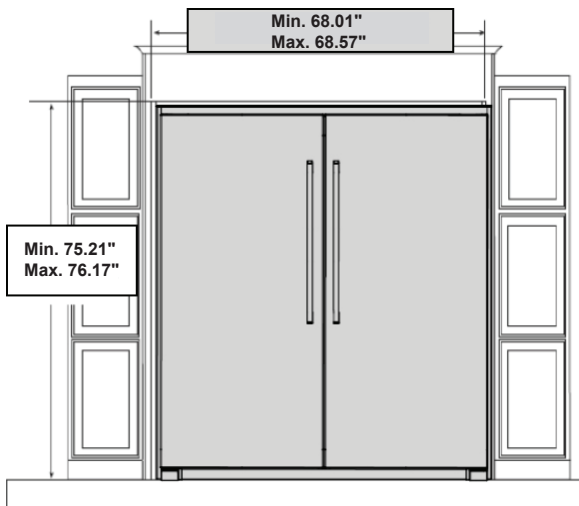
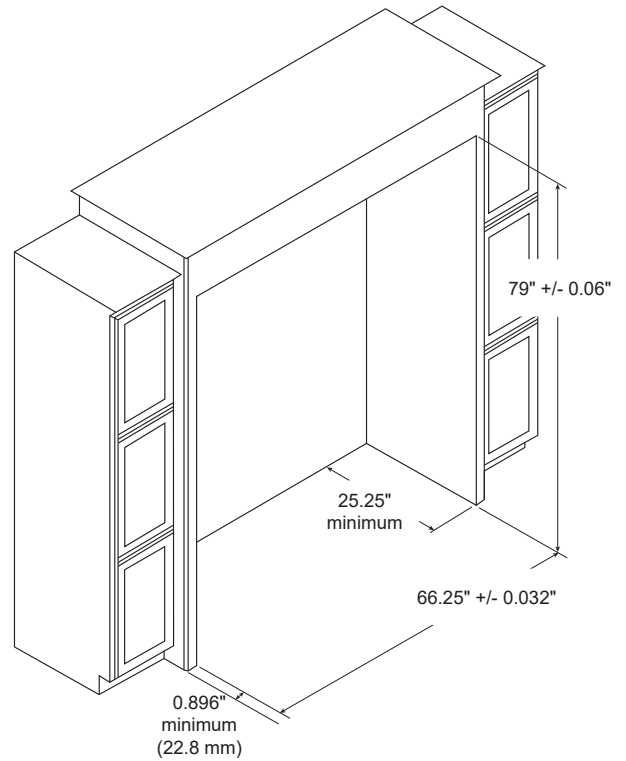
**NOTE**

To install a dual trim kit or a pairing kit, a partition cannot exist between the Freezer and the Refrigerator.

**TRMKTEZ2FL75 (Frigidaire)**

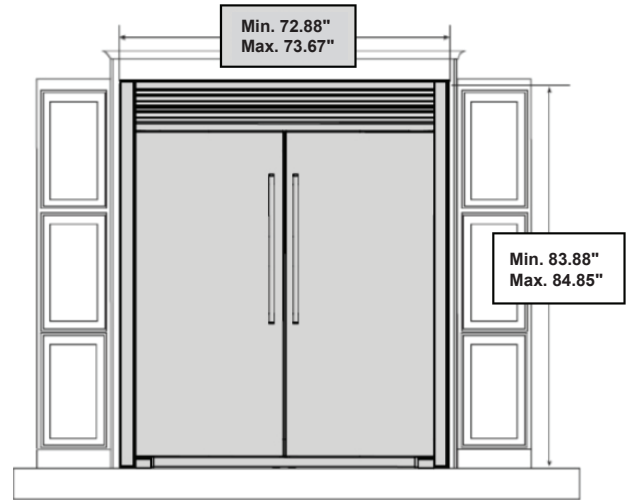
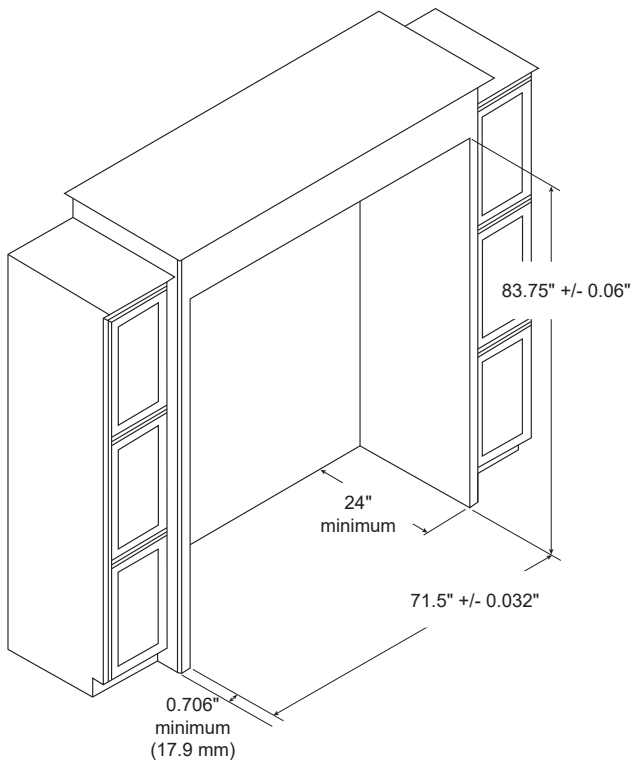


**TRMKTEZ2FL79 (Frigidaire)  
TRMKTSS2FL79 (Electrolux)  
TRMKTEZ2LV79 (Frigidaire)**



## Dual Trim Kits (84" Tall Cabinet Cutouts)

TRMKTSS2LV84 (Electrolux)



**Safety:** Always wear safety glasses when using power tools.

**Tools Needed:**

- Phillips™ Screwdriver
- Flathead Screwdriver
- Safety Glasses
- $\frac{3}{8}$ " &  $\frac{5}{16}$ " Socket Wrench
- Power Drill and  $\frac{5}{16}$ " Nut Driver Bit
- $\frac{3}{8}$ " Nut Driver
- Step Ladder
- Tape Measure
- Gloves

**Before You Begin**

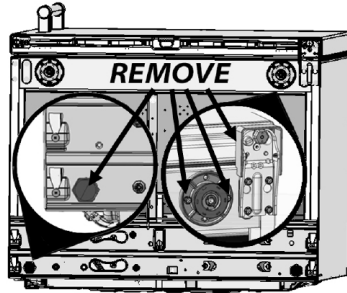
- Be careful when unpacking components. Do not use sharp objects when removing packaging material. This may scratch the surface of trim components.
- Use extreme care when handling the metal trim pieces. Corners are very sharp and easily damaged if dropped.

## Instructions for Dual Installation Trim Kits:

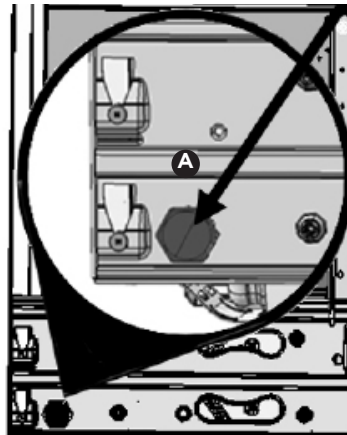
- TRMKTEZ2FL75 (Frigidaire)
- TRMKTEZ2LV79 (Frigidaire)
- TRMKTEZ2FL79 (Frigidaire)
- TRMKTSS2FL79 (Electrolux)
- TRMKTSS2LV84 (Electrolux)

### Leveling System Installation

1. a. Lay refrigerator and freezer on their backs on packing material or a drop cloth to prevent damage.



- b. Remove all 4 rear leg levelers from the 2 units by unscrewing counterclockwise (Fig. 1A).



- c. Remove all 4 front leg levelers from the 2 units by unscrewing the outer peg and 2 bolts on each front leveler with a  $5/16$ " nut driver. Remove the hinge cover if it is installed (Fig 1B).

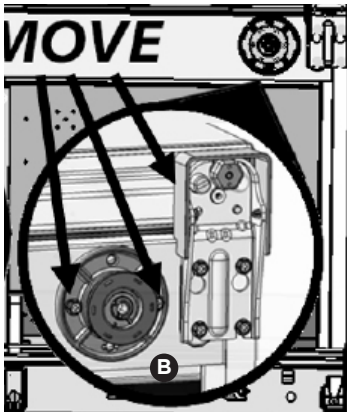


Fig. 1

2. Lay the parts out on a cleared area face down. Be sure to place a drop cloth over the floor to prevent scratching the trim kit and/or floor (Fig. 2).

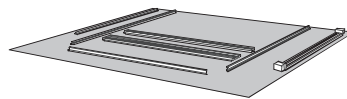


Fig. 2

3. a. Fit the first Leveler Assembly onto a refrigerator/freezer (Fig. 3).

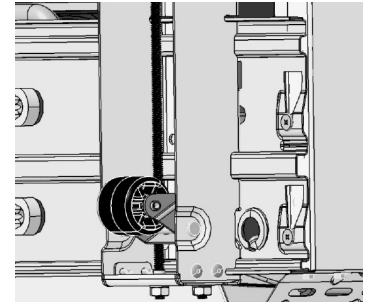


Fig. 3

- b. Using the 4H bolts from step 1, fasten the front of the Leveler Assembly to the refrigerator/freezer using a  $5/16$ " nut driver (Fig. 4).

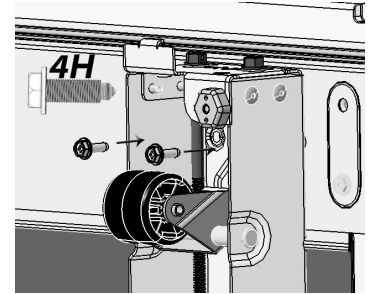


Fig. 4

If more fastening space is required, rotate the bolt labeled **F** clockwise (Fig. 5) using a flathead screwdriver or a  $3/8$ " socket wrench.

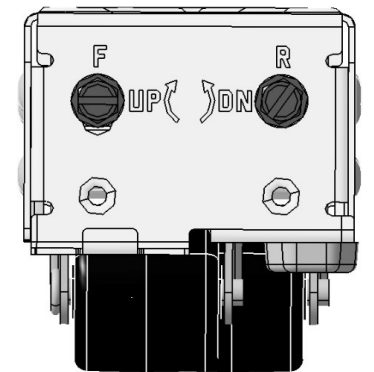


Fig. 5

- c. Using a 5H bolt and a power drill, fasten the bottom of the Leveler Assembly with a  $3/8$ " hex drill bit in whichever hole overlaps the screw hole (Fig. 6).

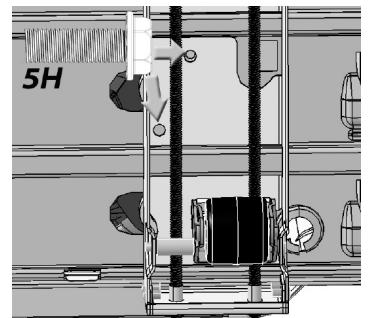


Fig. 6

- d. Attach remaining 3 Leveler Assemblies as described in the previous 3 steps using the remaining 6 4H bolts and the remaining three 5H bolts. With the unit(s) still on their backs, adjust all leveling wheels to approximately the orientation in Fig. 7.

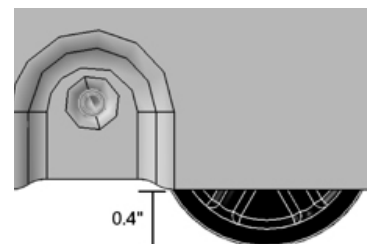


Fig. 7



### Trim Kit Center Trim Support

- With the refrigerator still on its back, use a  $\frac{5}{16}$ " nut driver to remove two 4H bolts and fasten the 10H L-Bar (Fig. 8).

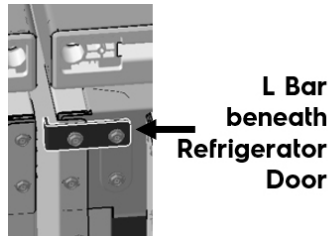


Fig. 8

- Stand both units upright.

### CAUTION

The cabinet is heavy. Two people are recommended to lift or move the cabinet.

### Pairing Kit Installation

Before cleaning your appliance, turn off power to your appliance by unplugging the power cord from the electrical outlet. Wipe down both sides of the refrigerator and the freezer.

### NOTE

Never use CHLORIDE to clean stainless steel. Clean stainless-steel front and handles with non-abrasive soapy water and a dishcloth. Rinse with clean water and a soft cloth. Wipe stubborn spots with an ammonia-soaked paper towel, and rinse. Use a non-abrasive stainless-steel cleaner, such as **Frigidaire ReadyClean™ Stainless Steel Cleaner** found on Frigidaire.com. Always follow the manufacturer's instruction.

### NOTE

Always, clean, wipe and dry with the grain to prevent scratching. Wash the rest of the cabinet with warm water and mild liquid detergent. Rinse well and wipe dry with a clean soft cloth.

**Note:** Use gloves for the next step.

- Peel off the paper backing from the first heater.
- Adhere the first heater to the lower right side of the left-side unit (0.5 in. from the bottom and 0.5 in. from the back wall) so the harnesses come out at the top.

**NOTE:** Make sure you adhere the heater completely with no air pockets (Fig. 9A).

- Peel off the paper backing from the second heater.
- Adhere the second heater to the upper left side of the right-side unit (0.5 in. from the top and 0.5 in. from the back wall) so the harnesses come out at the bottom.

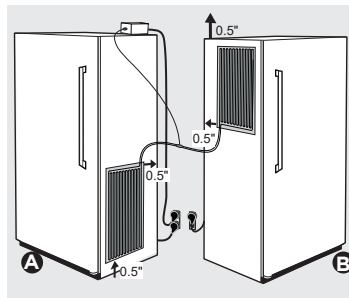


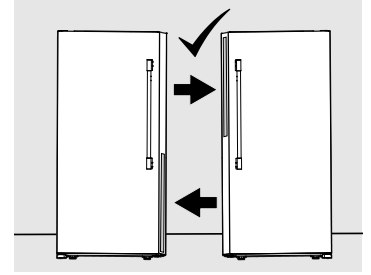
Fig. 9

**NOTE:** Make sure you adhere the heater completely with no air pockets (Fig. 9B).

**NOTE:** For the best results, please use the configurations of the heaters mentioned (Freezer-bottom right side and Refrigerator top left side).

### Avoid:

- Both heaters on the Freezer
- Both heaters on the Refrigerator
- Both heaters on the top
- Both heaters on the bottom
- Both heaters in the center



- Plug in the connector of the two **Heaters A** into the **Power Supply C** (Fig. 10).

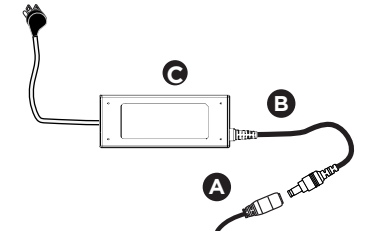


Fig. 10

**NOTE:** Confirm the power supply fits into the cutout when placed on top of the unit. Also confirm the power supply reaches the power outlet when placed on top of the unit (Fig. 11A).

- Apply the 2 strips of double-sided tape to the power supply and adhere the power supply on top of the unit (Fig. 11B).

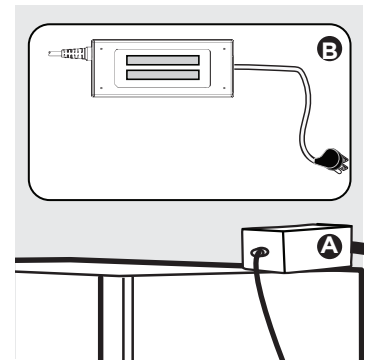


Fig. 11

### IMPORTANT

Make sure there are two separate outlets for the freezer and the refrigerator.

- If the power supply cannot be placed on top of the unit, adhere it vertically on the back wall of the unit and make sure the connection of the 3-prong connector to the power supply is facing down (Fig. 12).

**NOTE:** You cannot feel the heater temperature.

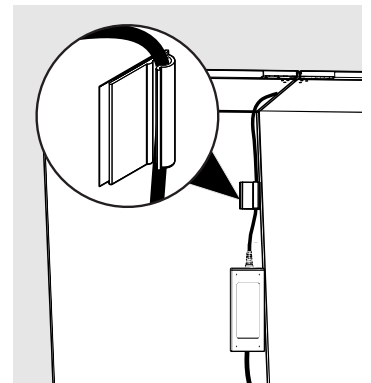


Fig. 12

- Use the clips provided to hold the excess power cords to the back of the units such that all wires are away from the floor (Fig. 13).

**NOTE:** Make sure the harnesses and cables are cleared off the floor before the units are pushed back in place. This will prevent any damage to the wires.

**NOTE:** The location of clips shown is an example.

- Plug the power supply into the main outlet before pushing the units into the final position.

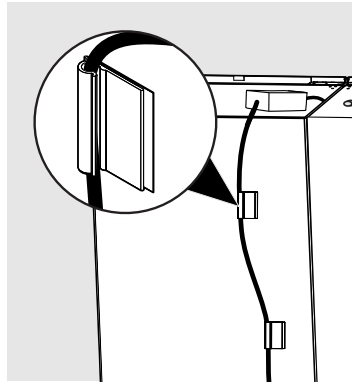


Fig. 13

### Trim Kit Tie Bar Installation

- Having the refrigerator/freezer standing side by side  $\frac{1}{2}$ " apart, fasten a 9H bracket to the front of the Levelers (Fig. 14), keeping the left-side 8H screws loose.

**NOTE:** One side of the brackets is slotted for fine adjustments in step 18c.

- Attach the other 9H bracket to the rear levelers (Fig. 15), keeping the right screws loose.

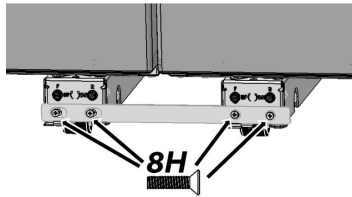


Fig. 14

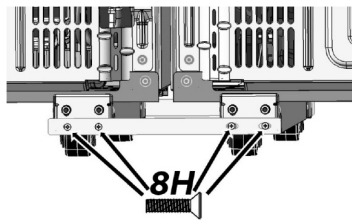


Fig. 15

- Attach the 1H top tie bar (Fig. 16), keeping the 2 left 4H bolts loose.

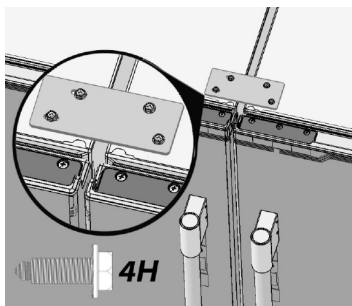


Fig. 16

- Open the doors and place the middle trim in between the 2 units.
  - Adjust the proximity of the units as needed to centralize the middle trim. Start by fastening the screws on top 1H bracket in order to evenly space the Center Trim (Fig. 17).

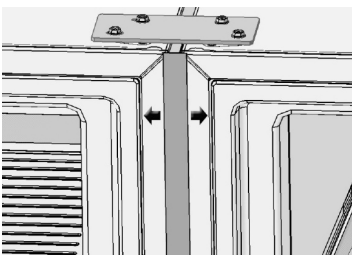


Fig. 17

- Fasten the four 8H screws (Fig. 14 and 15) through 2 front and back 9H brackets. You may need several adjustments for the center trim to be consistently flush and centered to the units.

**NOTE:** Before continuing, ensure doors close without interference and remain parallel. Adjusting the height of the wheels can help remedy door alignment issues. Refer to **INSTALLATION** in the Use & Care Manual to adjust the door height.

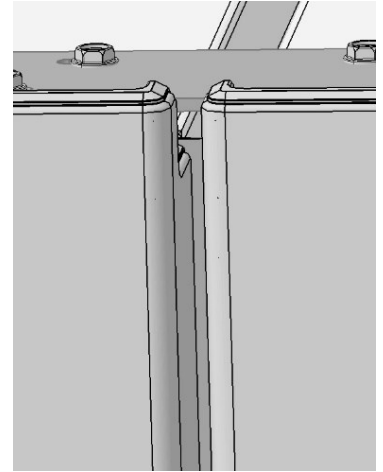
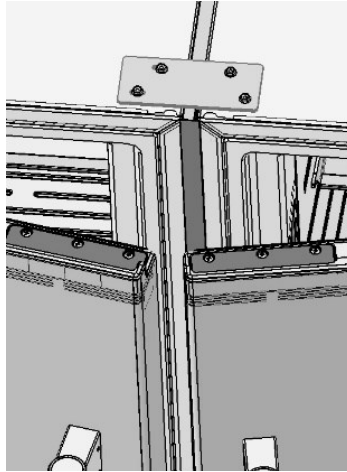


Fig. 18

### NOTE

Some cabinet substrates may require pre-drilling holes using a  $\frac{1}{8}$ " (3mm) diameter drill bit.

### Electrolux TRMKTSS2LV84 Side Trim Attachment Setup (some models)

- Using eight 3H screws and a power drill, attach the two Side Trim Attachment brackets to the front left and right cabinet cut-out edges with the brackets touching the floor (Fig. 19). Ensure the rectangular slots extend over the cabinet edge.

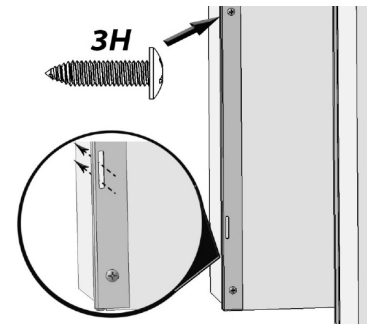


Fig. 19

### Side Trim Attachment Setup For:

**TRMKTEZ2FL75 (Frigidaire)**

**TRMKTEZ2LV79 (Frigidaire)**

**TRMKTEZ2FL79 (Frigidaire)**

**TRMKTSS2FL79 (Electrolux)**

- Depending on which long screw you received (6H or 7H), screw a long screw into the lower left (Fig. 20A) of the front cabinet, close to the location shown in Fig. 20B.
- Repeat step 20 for the right side of the cabinet using the other 6H/7H screw.

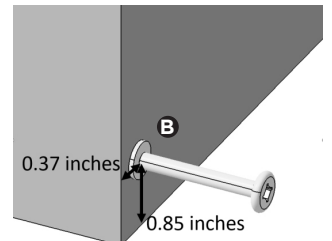
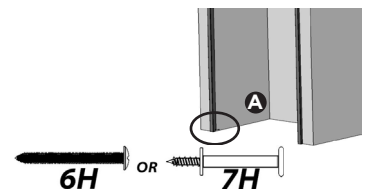


Fig. 20

**Power and Water Line Connection**

**Note:** Refer to the Use & Care Manual for power requirements and water supply hookup before proceeding. Find **Service Kit TFLTRICEKIT** at [electroluxappliances.com](http://electroluxappliances.com) for connecting the water line and filtering ice.

**Top Trim Attachment**
 **NOTE**

You will need a step ladder to install top trim components.

22. a. Remove the front outer hinge screws, common on both sides of the dual installation, as well as the two 4H screws that fasten the 1H Tie Bar (Fig. 21).
- b. Roll the dual installation into the cabinet, roughly  $\frac{3}{4}$  of the way in, ensuring the product is centered in the cabinet cutout.
- c. Install the top trim by fastening four 4H screws along the base of the trim with a  $\frac{5}{16}$ " socket wrench (Fig. 21).
23. a. Slide the dual installation into place, and make sure it is center inside the cabinets.
- b. Drill  $\frac{1}{8}$ " pilot holes and fasten two 3H screws on the right side of the Top Trim (one screw per side for Collared top trim) with a Phillips screwdriver to the cabinets (Fig. 22).
- c. Repeat for the left side.

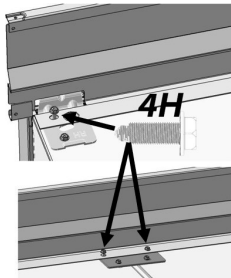


Fig. 21

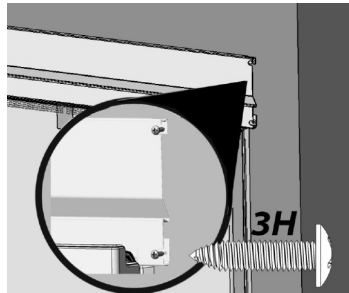


Fig. 22

- b. Fasten 2H screws to the top trim (Fig. 25) and repeat for the right hand side.

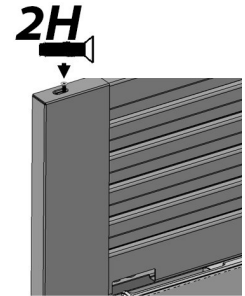


Fig. 25

26. a. Carefully place the Toe Kick over the 4 Leveler Assembly Slots. The first Leveler Assembly slot is circled in Fig. 26, and the fourth Leveler Assembly slot is circled in Fig. 27.
- b. Adjust the Toe kick until the magnets are engaged to the Leveler Assembly bolts and the Toe Kick is resting vertically in place.

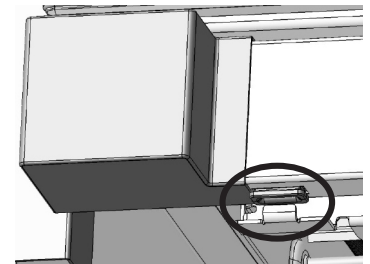


Fig. 26

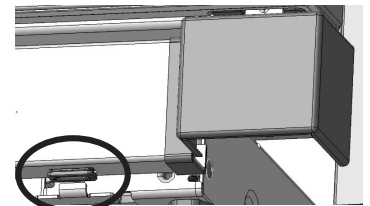


Fig. 27

**Side Trim Installation For:**

**TRMKTEZ2FL75 (Frigidaire)**

**TRMKTEZ2LV79 (Frigidaire)**

**TRMKTEZ2FL79 (Frigidaire)**

**TRMKTSS2FL79 (Electrolux)**

24. a. Place side trims in position by dropping them over the placement screw as seen in Fig. 21 and fitting over the top trim (Fig. 23).

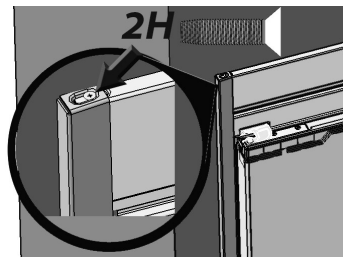


Fig. 23

**Electrolux TRMKTSS2LV84 Side Trim Installation**

25. a. Slide the left Side Trim into place by carefully guiding the Side Trim Attachment slots. Fig. 24 shows an inside view.

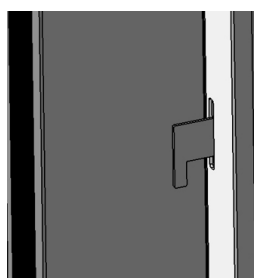


Fig. 24

## Instructions for Single Installation Trim Kits:

**TRMKTEZ1FL79 (Frigidaire)**  
**TRMKTSSILV84 (Electrolux)**

### Leveling System Installation

1.
  - a. Lay the unit on its back on packing material or a drop cloth to prevent damage.
  - b. Remove both rear leg levelers by unscrewing counterclockwise (Fig. 1A).
  - c. Remove both front leg levelers by unscrewing the outer peg and 2 bolts on each front leveler with a  $\frac{5}{16}$ " nut driver. Remove the hinge cover if it is installed (Fig 1B).
2. Lay the parts out on a cleared area face down. Be sure to place a drop cloth over the floor to prevent scratching the trim kit and/or floor (Fig. 2).
3.
  - a. Fit the first Leveler Assembly onto a refrigerator/freezer (Fig. 3).

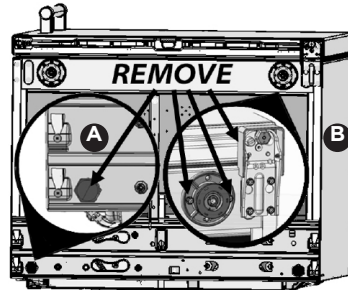


Fig. 1

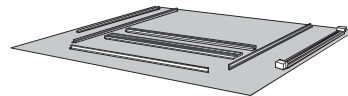


Fig. 2

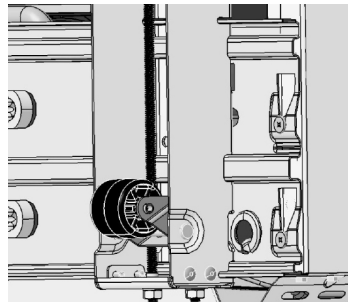


Fig. 3

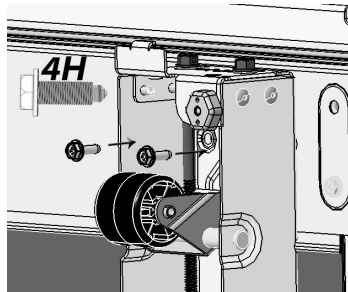


Fig. 4

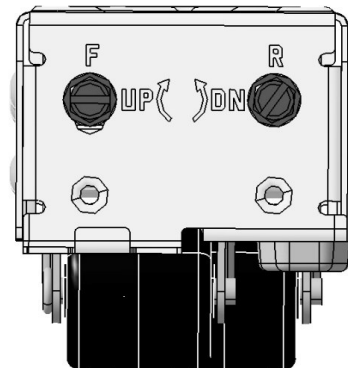


Fig. 5

- c. Using a 5H bolt and a power drill, fasten the bottom of the Leveler Assembly with a  $\frac{3}{8}$ " hex drill bit in whichever hole overlaps the screw hole (Fig. 6).

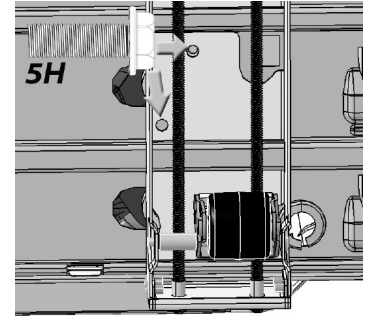


Fig. 6

- d. Attach the remaining Leveler Assembly as described in the previous 3 steps. With the unit still on its back, adjust all leveling wheels to approximately the orientation in Fig. 7.

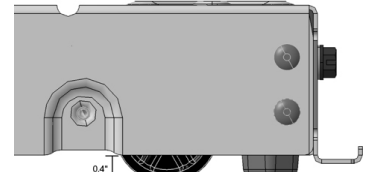


Fig. 7

### Leveling the Unit

4.
  - a. Tilt the unit upright.
  - b. Place the unit into the cabinet space, or as close to the final position as possible (do not hook up power or water yet). This step is important to accurately level the unit prior to further installs.
  - c. Use a flat head screw driver or a  $\frac{3}{8}$ " socket wrench to adjust the front bolts of the Leveler Assemblies (Fig. 8). Raise or lower the front and back wheels as needed until the unit rests properly in the cabinet space.
  - d. Once the Leveler Assemblies have been checked, roll out the unit in front of the cabinetry for accessibility.

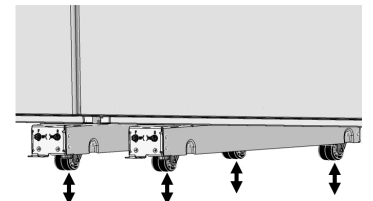


Fig. 8

### NOTE

Some cabinet substrates may require pre-drilling holes using a  $\frac{1}{8}$ " (3 mm) diameter drill bit

### Electrolux TRMKTSSILV84 Side Trim Attachment Setup

5. Using eight 3H screws and a power drill, attach the 2 Side Trim Attachment brackets to the front left and right cabinet cutout edges with the brackets touching the floor (Fig. 9). Ensure the rectangular slots extend over the cabinet edge.

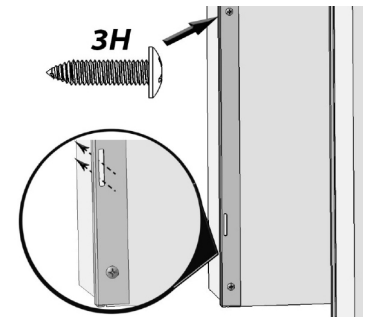
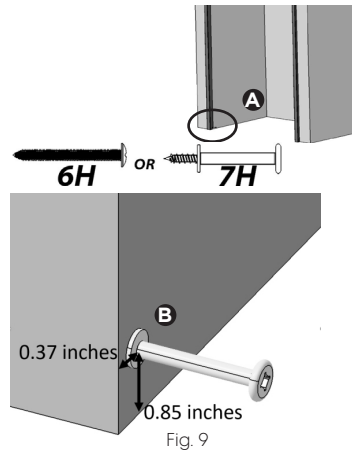


Fig. 9

## Frigidaire TRMKTEZIFL79 Side Trim Attachment Setup

6. Depending on which long screw you received (6H or 7H) screw a long screw in the lower left area (Fig. 9A) of the front cabinet space, approximately in the location described in Fig. 9B.
7. Repeat step 6 for the right side of the cabinet using the other 6H/7H screw.



## Power and Water Line Connection

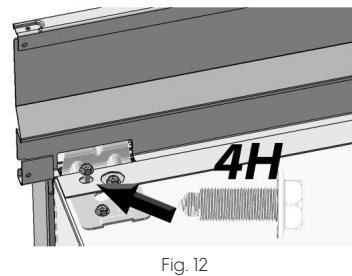
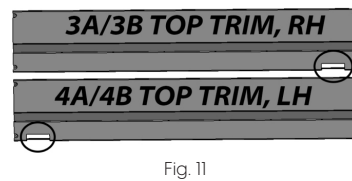
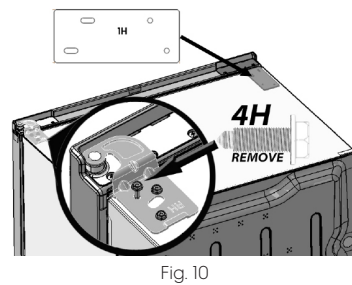
**Note:** Refer to the Use & Care Manual for power requirements and water supply hookup before proceeding. Find **Service Kit TTFLTRICEKIT** at [ElectroluxAppliances.com](http://ElectroluxAppliances.com) for connecting the water line and filtering ice.

## Top Trim Attachment

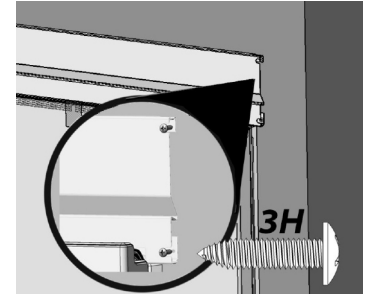
### NOTE

You will need a step ladder to install top trim components.

8. a. Remove the front outer screw from the top hinge (Fig. 10) using a  $\frac{5}{16}$ " socket driver or wrench and save for later. Locate bracket 1H and place it on the top of the unit to be used on Step 14.
- b. Roll the unit into the cabinet roughly  $\frac{3}{4}$  of the way in, ensuring the product is centered in the cabinet cutout.
- c. Choose the top trim according to which side the door hinge is on (Fig. 11). You do not need the other Top Trim for the installation.
- d. Install the Top Trim by fastening two 4H screws along the base of the trim with a  $\frac{5}{16}$ " socket wrench (Fig. 12). Screw through the 1H bracket in step 8a to properly level the Top Trim.

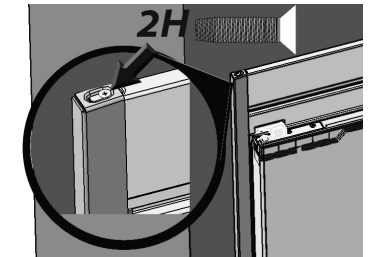


9. a. Slide the unit into place, and ensure the dual installation is centered.
- b. Drill  $\frac{1}{8}$ " pilot holes and fasten two 3H screws on the right side of the Top Trim with a Phillips screwdriver to cabinets (Fig. 13).
- c. Repeat for the left side.



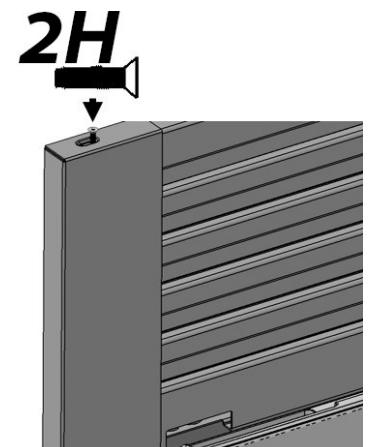
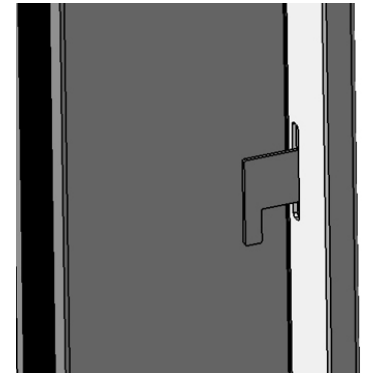
## Frigidaire TRMKTEZIFL79 Side Trim Installation

10. a. Place the Side Trims in position by dropping them over the placement screw as seen in Fig. 9 and fitting them over the Top Trim (Fig. 14).
- b. Fasten a 2H screw to each side of the Top Trim (Fig. 14).



## Electrolux TRMKTSSILV84 Side Trim Installation

11. a. Slide the left Side Trim into place by carefully guiding the Side Trim hooks through the Side Trim Attachment slots. Fig. 15 shows an inside view.
- b. Fasten 2H screws to the Top Trim (Fig. 16) and repeat for the right hand side.





12. a. Choose which Toe Kick to place below the unit based on which side the door hinge is on (Fig. 17). You do not need the other Toe Kick.
- b. Carefully place the Tow Kick over the 2 Leveler Assembly Slots. The first Leveler Assembly slot is circled in Fig. 18, and the second Leveler Assembly slot is circled in Fig. 19.
- c. Adjust the Toe Kick until the magnets are engaged to the Leveler Assembly bolts and the Toe Kick is resting vertically in place.

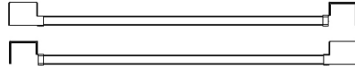


Fig. 17

**Note:** Refer to the Use & Care Manual to adjust the door height if needed.

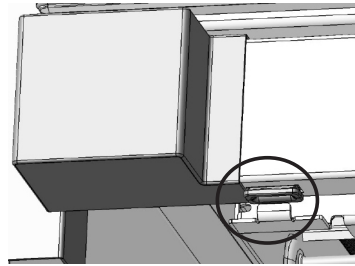


Fig. 18

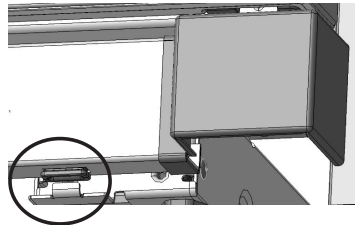


Fig. 19